

SCANNED  
DATE: 23/10/12  
SIGN:  
SANITATION  
PROJECT No: Y6065  
DRAWING No: 60463-2/2  
TUBE No: 1301

REVISIONS

Table with 3 columns: Revision, Date, Description. Includes revision A (Nov. 2009) and AS BUILT.

SIYENZA ENGINEERS logo and contact information: P.O. BOX 543, KLOOF 3640, Telephone 031-764 0153, Facsimile 031-764 3143, e-mail: sizenza@siyenza.co.za

LEGEND OF EXISTING UNDERGROUND SERVICES. Symbols for Sewers and M.H.'s, Storm Water Drain and M.H.'s, Water Mains and Valves, Electricity Cables, and Telkom Cables.

UNDERGROUND SERVICES CHECKED table with columns: SERVICE, DATE, SIGNATURE. Includes S.W. DRAINS, SEWERS, WATER MAINS, TELKOM CABLES, ELECTRIC CABLES, SPOONNET CABLES, E.S.C. CABLES, OIL PIPE LINE.

NOTE: Only underground services affected by new construction work are shown. Care must be taken during excavations for road foundations, trenches etc. to avoid damage to underground services such as sewers, drains, cables, water mains and connections. Wherever possible these must be located before work proceeds.

DEPARTMENT OF WASTEWATER MANAGEMENT logo and ETHEKWINI MUNICIPALITY logo.

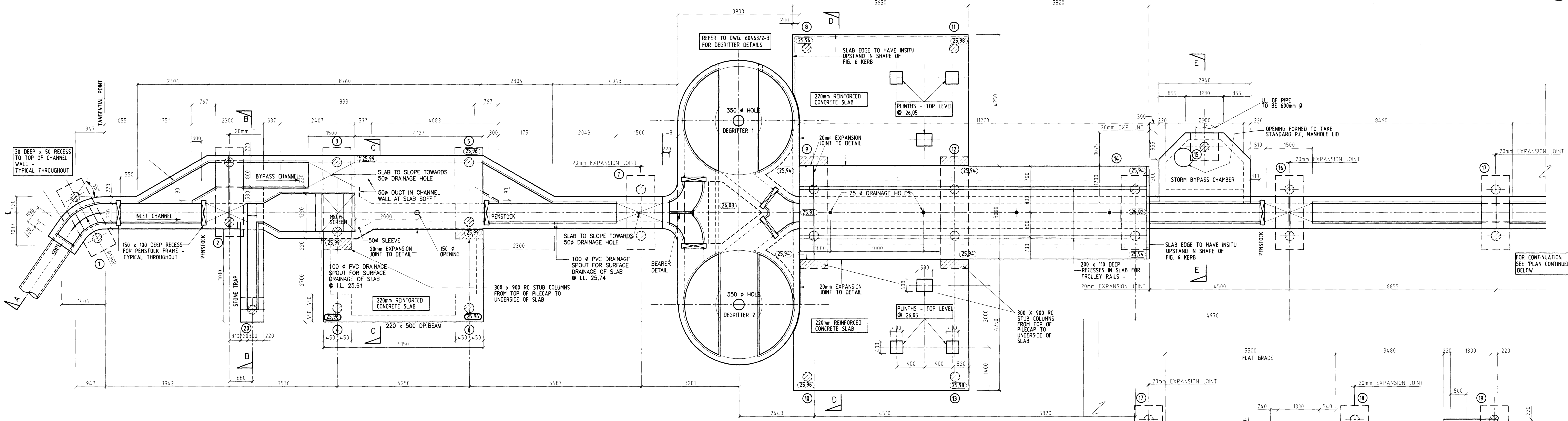
ETHEKWINI WATER & SANITATION

Contract No. WS 5652

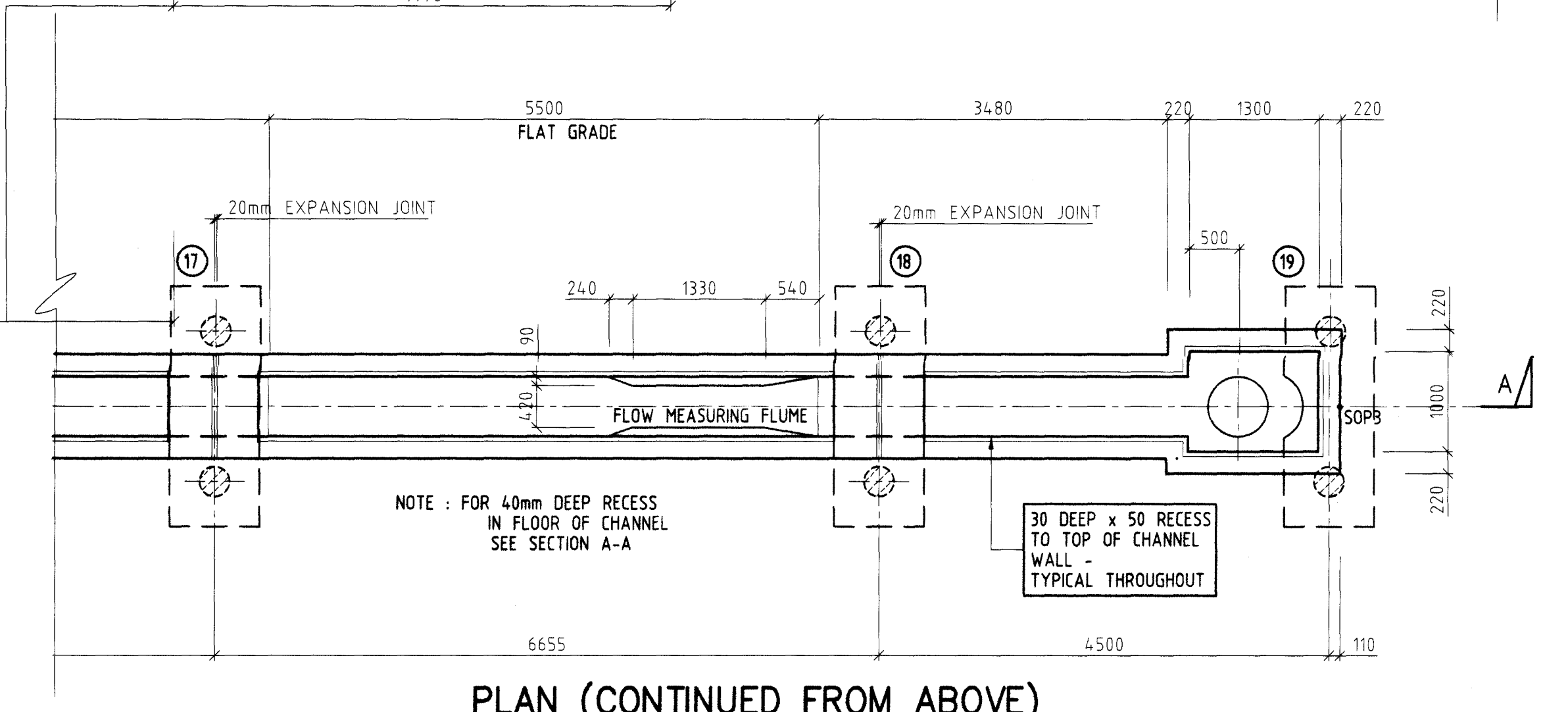
Project Title: VERULAM WASTEWATER TREATMENT WORKS UPGRADE: REPLACEMENT OF EXISTING BIOFILTER PLANT WITH 8.5M<sup>3</sup>/d ACTIVATED SLUDGE PLANT

HEAD OF WORKS PLAN + SECTION

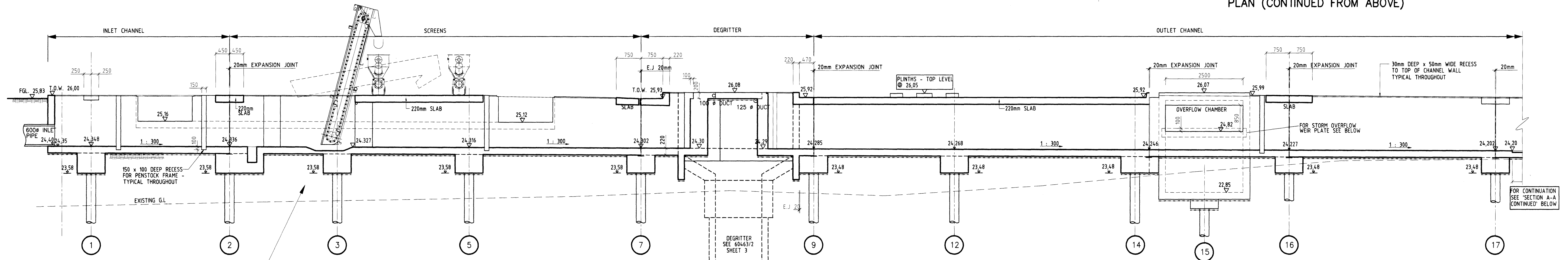
Reference Orgs., Scales: 1:50, Surveyed, Drawn: V. Naidoo / WvdB, Date: AUGUST 2005, Designed: v.N./A.P./K.B./G.M., Date: AUGUST 2005, Works Project Engineer, Manager: (Design), Deputy Head: Technical Services.



PLAN ON INLET CHANNEL  
1 : 50

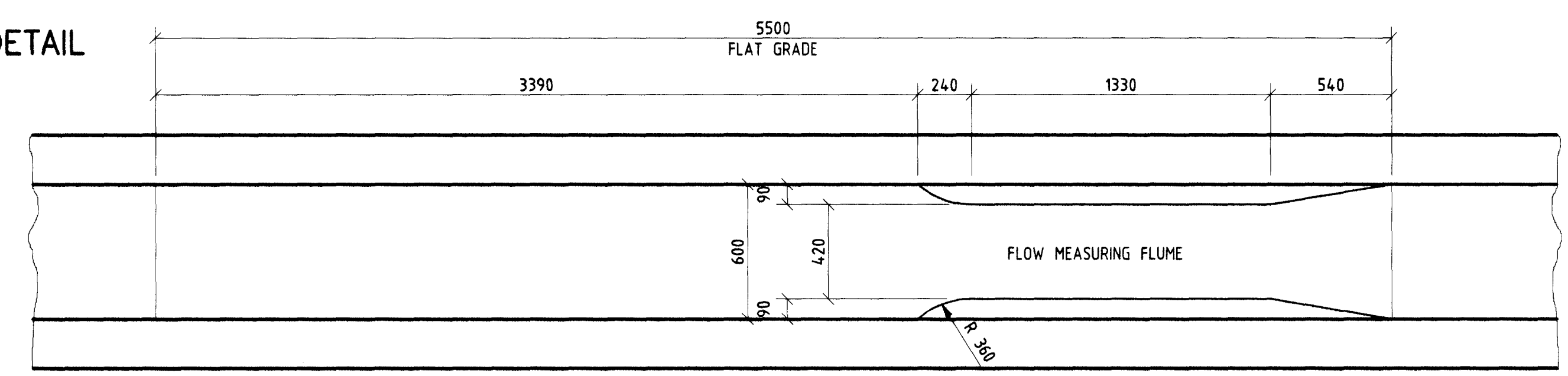


PLAN (CONTINUED FROM ABOVE)

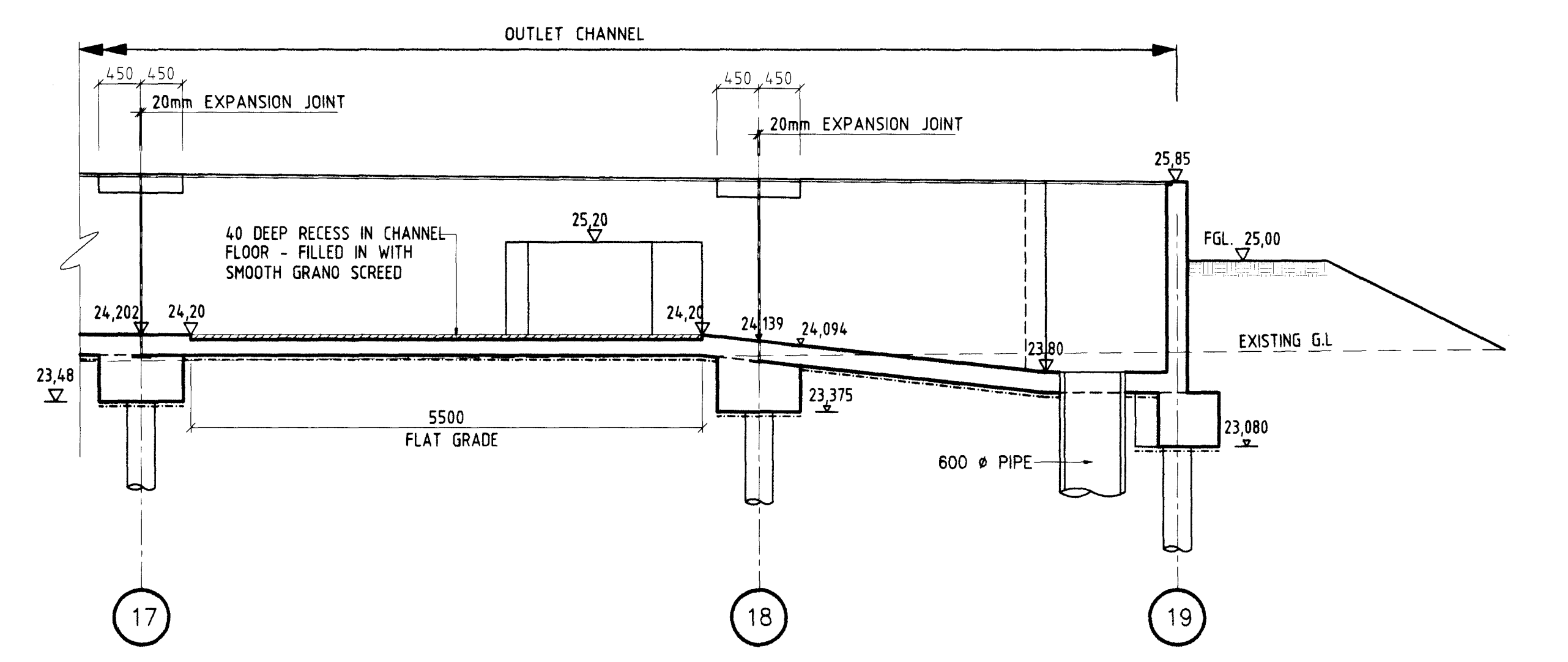


SECTION A - A  
1 : 50

SCREEN RECESS DETAIL



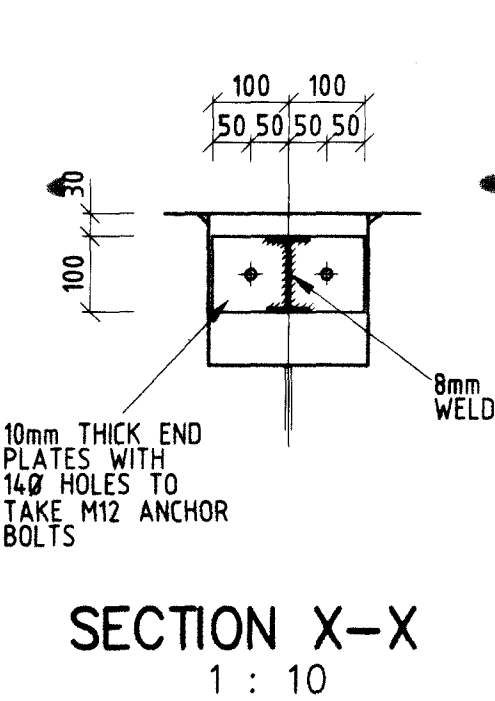
DETAIL OF MEASURING FLUME FOR H.O.W.  
1 : 20



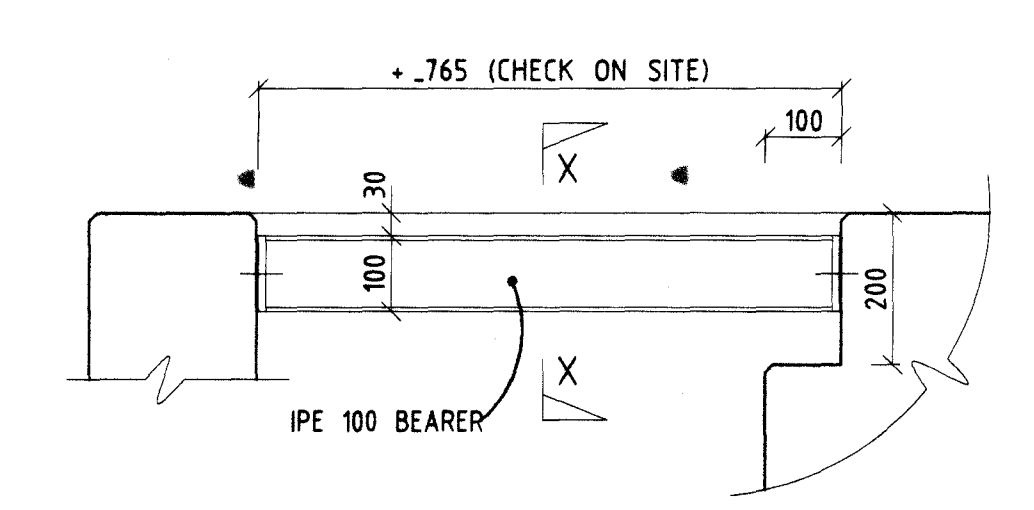
SECTION A-A (CONTINUED FROM ABOVE)

GENERAL NOTES:

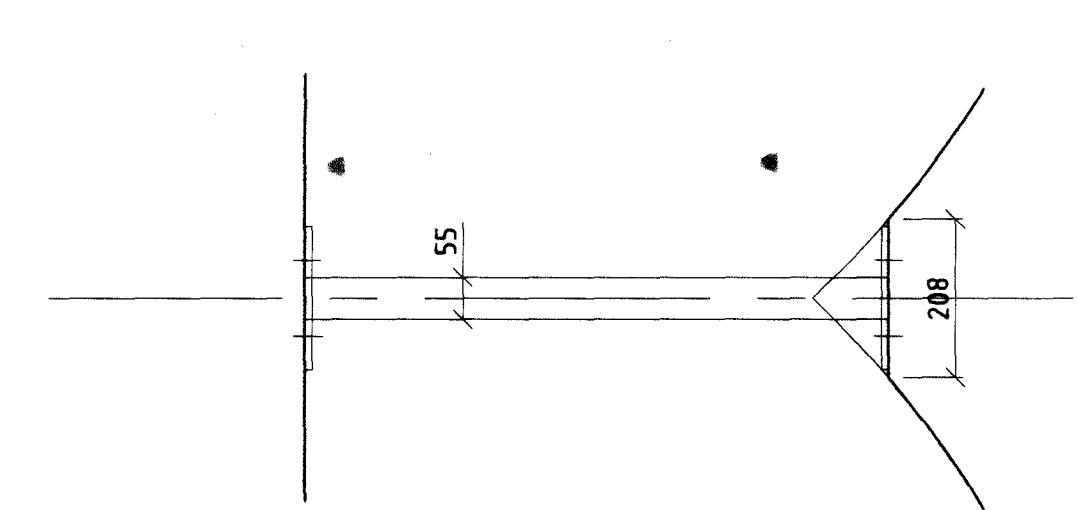
- 1. CONCRETE (a) GRADES 30/26 ALL STRUCTURAL CONCRETE. (b) GRADES 15/24 FINISHING. (c) GRADES 20/37 MASS CONCRETE.
2. CONCRETE FINISHES: (a) CLASS 1 - TO SIDES OF FLOOR SLABS, OUTER SURFACES OF DEGRITTER HOPPER AND SHAFT AND OUTER SURFACE OF PILE CAPS AND STUB COLUMNS.
(b) CLASS 3a - TO INSIDE OF DEGRITTER HOPPER & SHAFT, SIDES OF CHANNELS INCLUDING BENS, OVER FLOW CHANNELS AND SUMPS, SOFFITS AND SIDES OF SLABS OVER CHANNELS DEGRITTER AND OVER FLOW SUMP.
(c) WOOD FLOAT FINISH: TOP OF SLABS
(d) STEEL TROWEL FINISH: TOPS OF WALL
3. CONCRETE COVER: 40mm MINIMUM
4. ALL QUERIES RELATING TO CONSTRUCTION LEVELS MUST BE REFERRED TO THE ENGINEER FOR CLARIFICATION BEFORE CONCRETE IS CAST.
5. FOR PILE & PILECAP LAYOUT SEE 60463/2 SH.5
6. ALL EXPOSED CONCRETE EDGES TO HAVE 20mm X 20mm CHAMFER
7. ALL EXCAVATION AND REINFORCEMENT TO BE CHECKED AND APPROVED BY ENGINEER PRIOR TO CASTING ANY CONCRETE



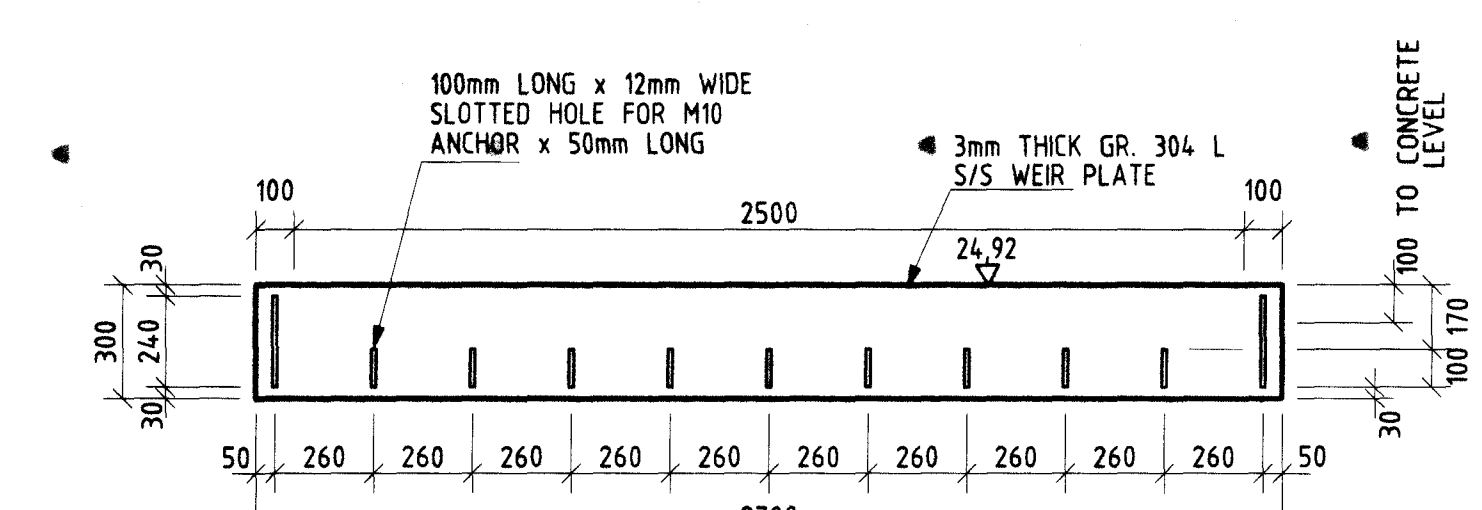
SECTION X-X  
1 : 10



BEARER DETAIL  
1 : 10



PLAN  
1 : 10



DETAIL OF STORM OVERFLOW WEIR PLATE  
1 : 20

NOTES: 1. STEEL TO BE UNLESS SHOWN 2. BEARER TO BE AFTER MANUF.