

- NOTES**
1. ALL DIMENSIONS & LEVELS SHALL BE CHECKED ON SITE PRIOR TO ANY FABRICATION AND ANY DISCREPANCIES SHALL BE BROUGHT TO THE ATTENTION OF THE ENGINEER.
 2. THE CONTRACTOR SHALL PROVIDE SHOP DRAWINGS OF ALL STEELWORK FOR COMMENT BY THE ENGINEER PRIOR TO FABRICATION.
 3. HOT DIPPED GALVANISED MILD STEEL SHALL BE IN ACCORDANCE WITH S.A.S. 8:783:1988 - HEAVY DUTY.
 4. WELDS SHALL BE 6mm CPW AND BUTT WELDS AS REQUIRED.
 5. STAINLESS STEEL WELDING SHALL BE PICKLED AND PASSIVATED.
 6. ALL WELDS SHALL BE FINISHED IN ACCORDANCE WITH GOOD PRACTICE FOR WELDING. UNCLEY AND PITTED WELDING WILL BE REJECTED.
 7. CONCRETE SHALL BE GRADE 30/19.
 8. ALL EXPOSED CONCRETE EDGES SHALL HAVE 20mm CHAMFER.

SCANNED
DATE:
SIGN:

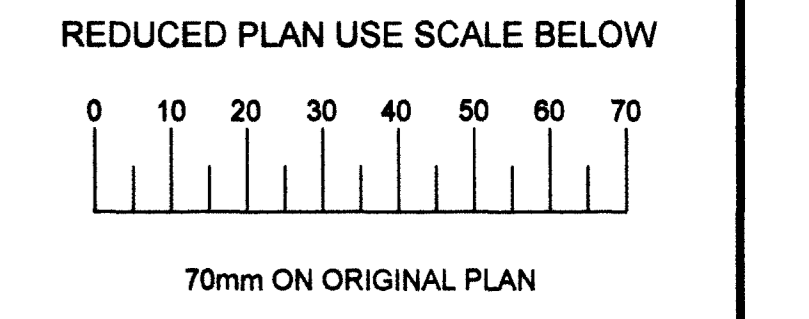
SANITATION
PROJECT No: 1065
DRAWING No: 60463-7/10
TUBE No: 1301

REVISIONS

Revision	Date	Description
A	March 2009	As Built

AS BUILT

DATE: 02/02/2010 SIGN: X/.....



- LEGEND OF EXISTING UNDERGROUND SERVICES**
- SEWERS AND M.H.'S
 - STORM WATER DRAIN AND M.H.'S
 - WATER MAINS AND VALVES
 - ELECTRICITY CABLES
 - TELKOM CABLES

UNDERGROUND SERVICES CHECKED

SERVICE	DATE	SIGNATURE
S.W. DRAINS		
SEWERS		
WATER MAINS		
TELKOM CABLES		
ELECTRIC CABLES		
SPOONNET CABLES		
E.S.C. CABLES		
OIL PIPE LINE		

NOTE: Only underground services affected by new construction work are shown.
Care must be taken during excavations for road foundations, trenches etc. to avoid damage to underground services such as sewers, storm, water mains and connectors. Wherever possible these must be located before work proceeds.

NOTE: No construction work to commence until land and services investigations have been completed and all approvals completed.

Date: Engineer: NORTH POINT

DEPARTMENT OF WASTEWATER MANAGEMENT
ETHEKWINI MUNICIPALITY

ETHEKWINI WATER & SANITATION

Contract No: **WS 5652**

Project Title: **VERULAM WASTEWATER TREATMENT WORKS UPGRADE: REPLACEMENT OF EXISTING BIOFILTER PLANT WITH 8.5M³/d ACTIVATED SLUDGE PLANT**

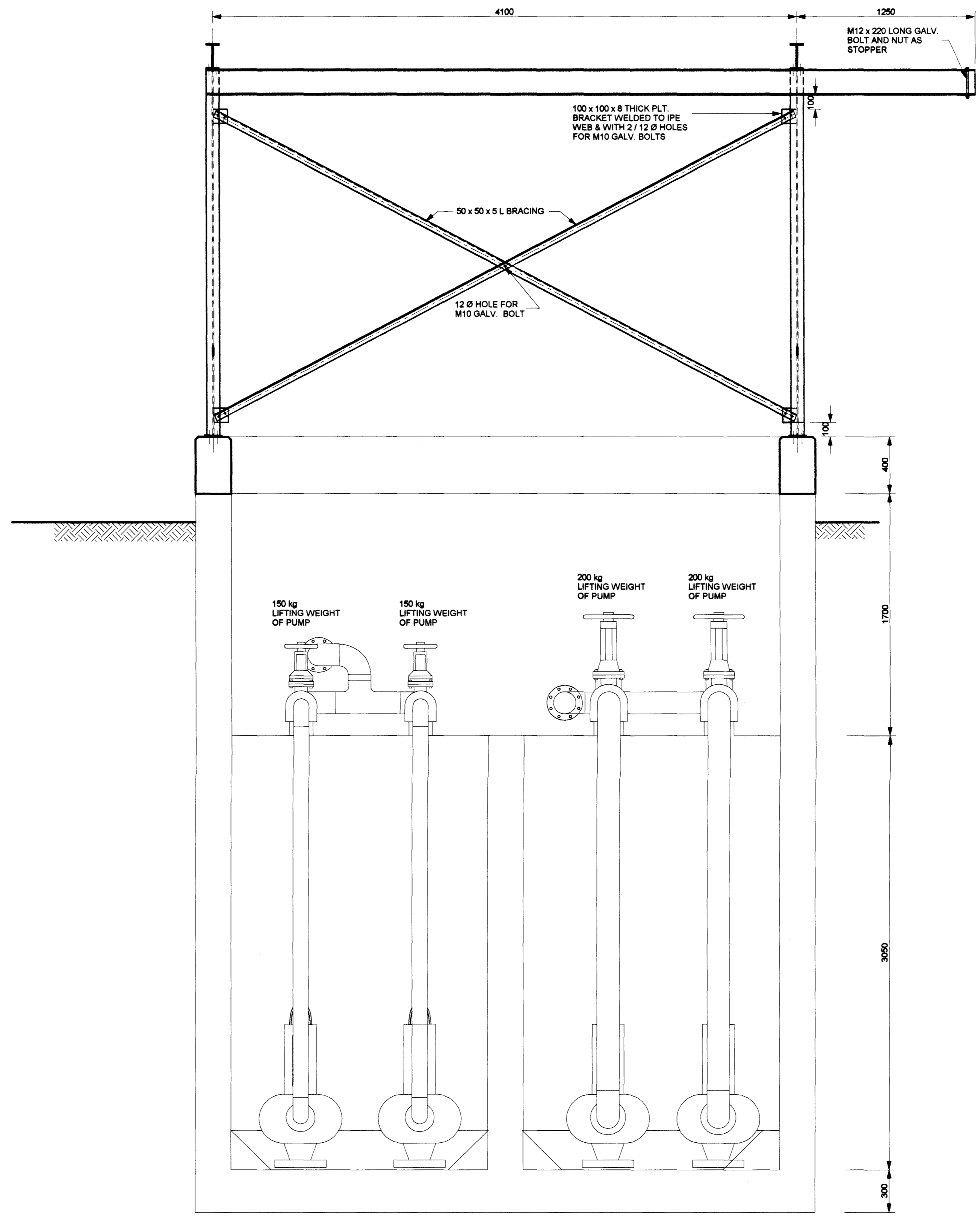
Project No: (Y8085)
Drawing Title: **MODIFICATIONS TO PRIMARY SLUDGE AND SNL PUMP STATION - CIVIL WORKS**

Reference Drgs
Scale: As Shown

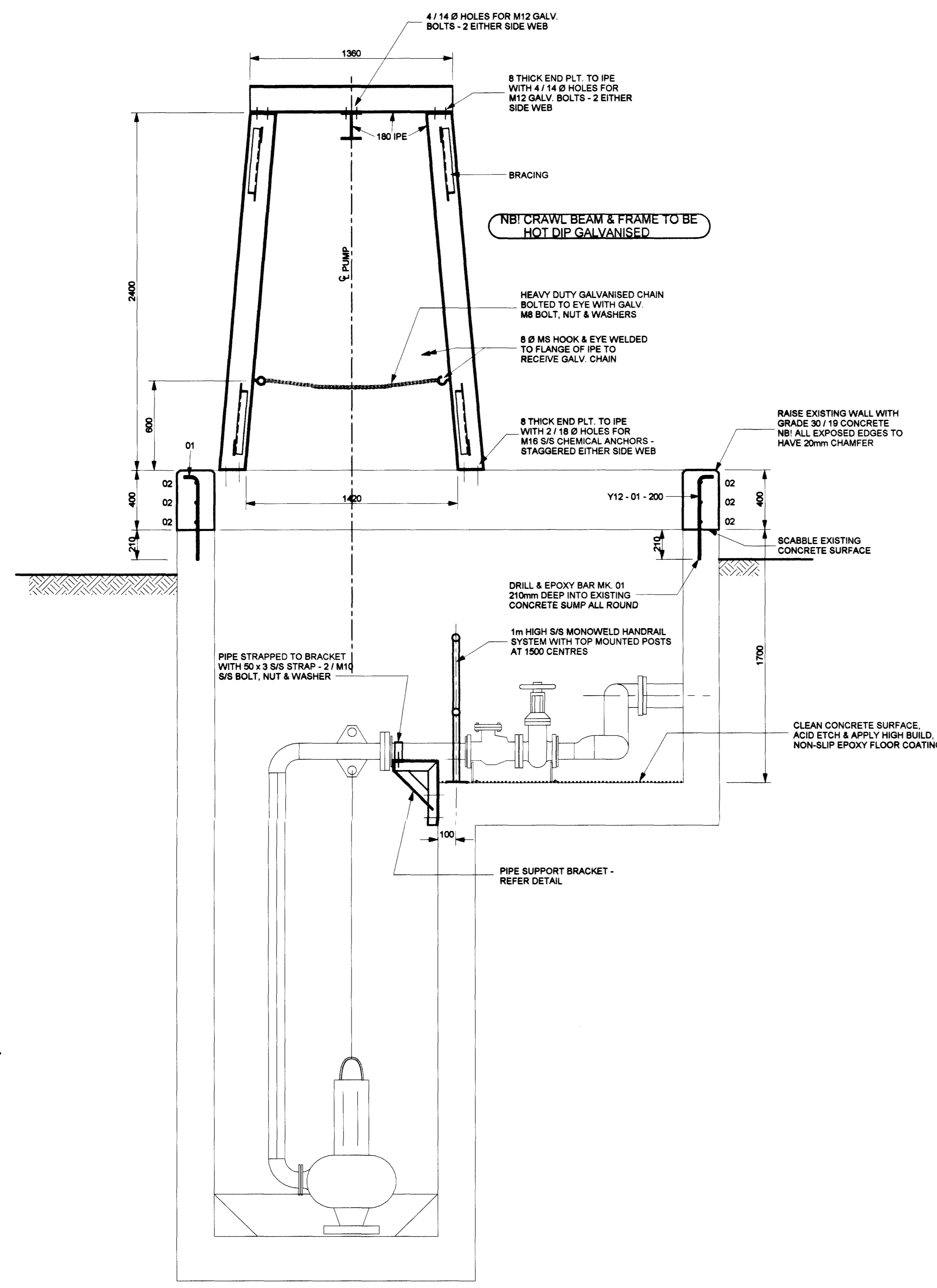
Surveyed	Date
Drawn: V.N	Date: November 2008
Designed: V.N	Date: November 2008

Works Project Engineer:
Manager: (Design)

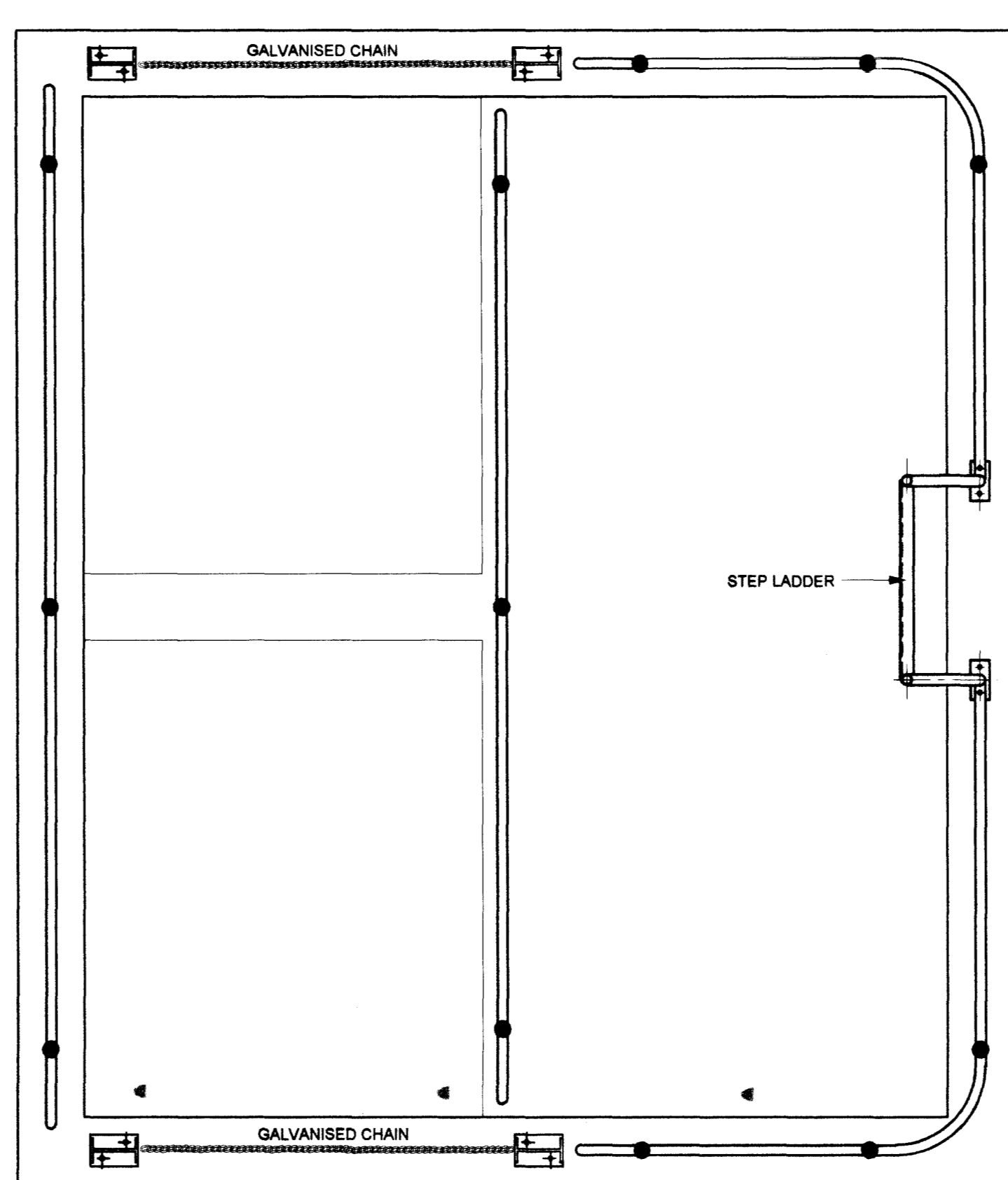
Deputy Head: Technical services:
Drawing No: 60463-7 Sheet 10 Rev. 10



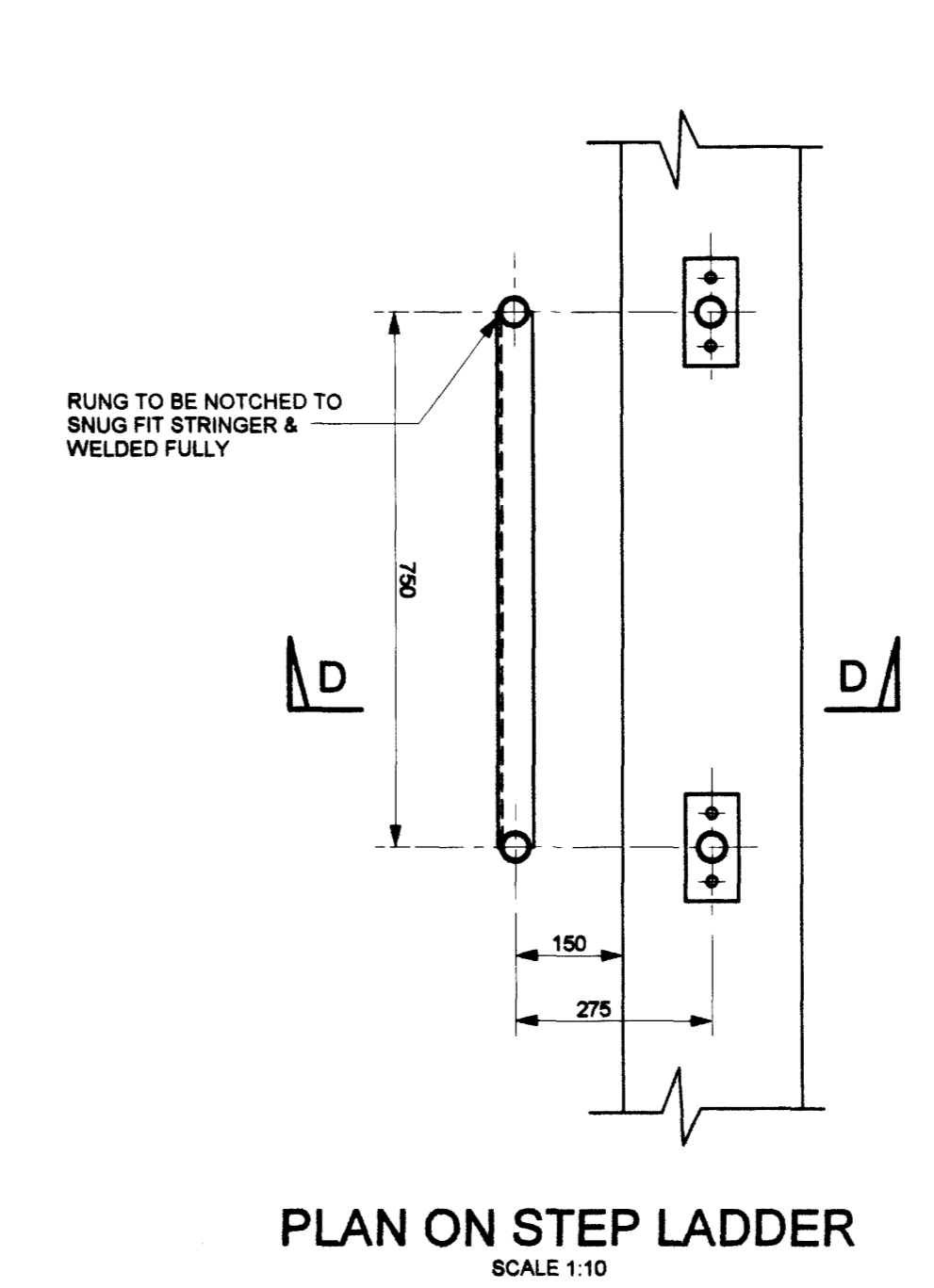
SECTION B - B
SCALE 1:20



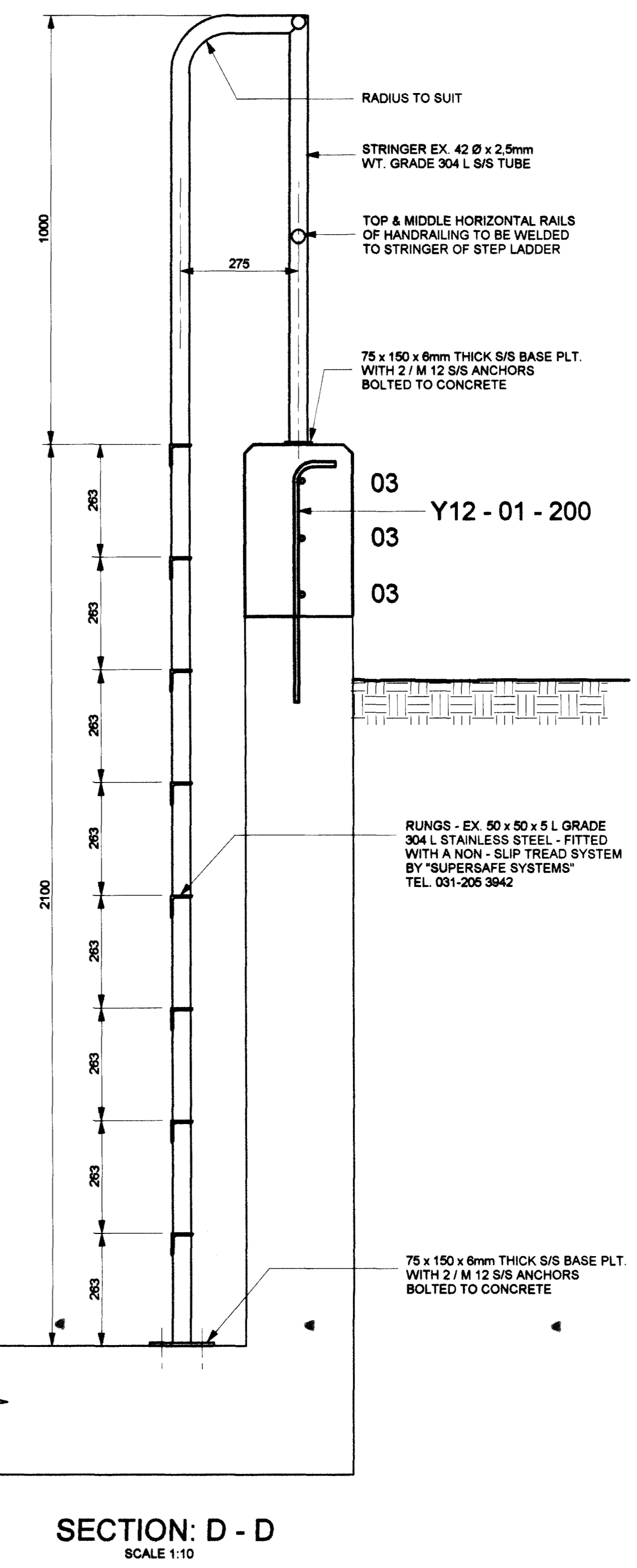
SECTION A - A
SCALE 1:20



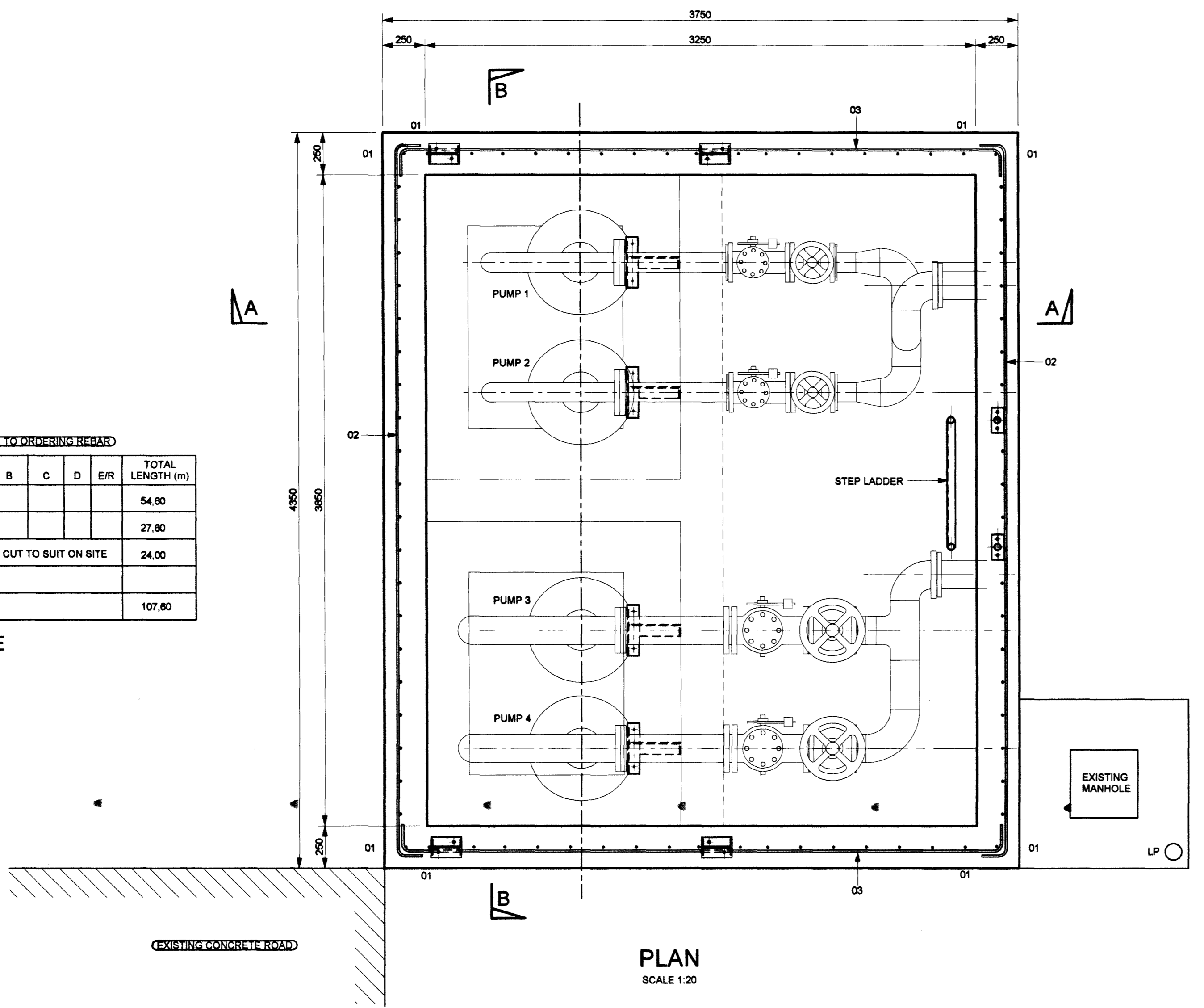
PLAN ON HANDRAILING
SCALE 1:20



PLAN ON STEP LADDER
SCALE 1:10

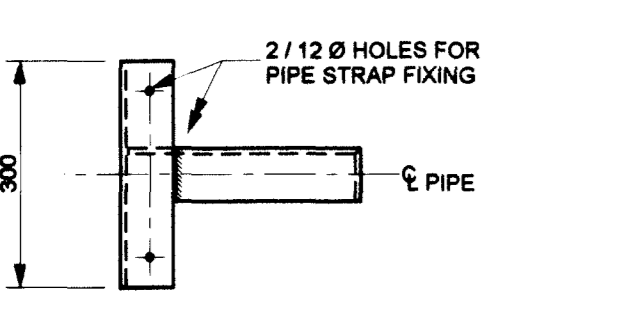


SECTION D - D
SCALE 1:10



PLAN
SCALE 1:20

PLAN C - C
SCALE 1:10



DETAIL OF PIPE SUPPORT BRACKET
EX. 70 x 70 x 6 L IN GRADE 304 L S/S (4 No. OFF)
SCALE 1:10

REBAR SCHEDULE

MEMBER & NO. REQD.	TYPE & SIZE	BAR MK	No EACH	No TOTAL	SHAPE CODE	LENGTH (mm)	A	B	C	D	E/R	TOTAL LENGTH (m)
RAISED WALL	Y12	Ø1	78	35	700	570						54.80
	Y12	Ø2	6	6	35	4600	4270					27.80
	Y12	Ø3	6	6	35	4000	3670					24.00
CUT TO SUIT ON SITE												
MASS OF H.T. REINFORCING: 98 kg												
TOTAL LENGTH (m): 107.80												

REBAR SCHEDULE