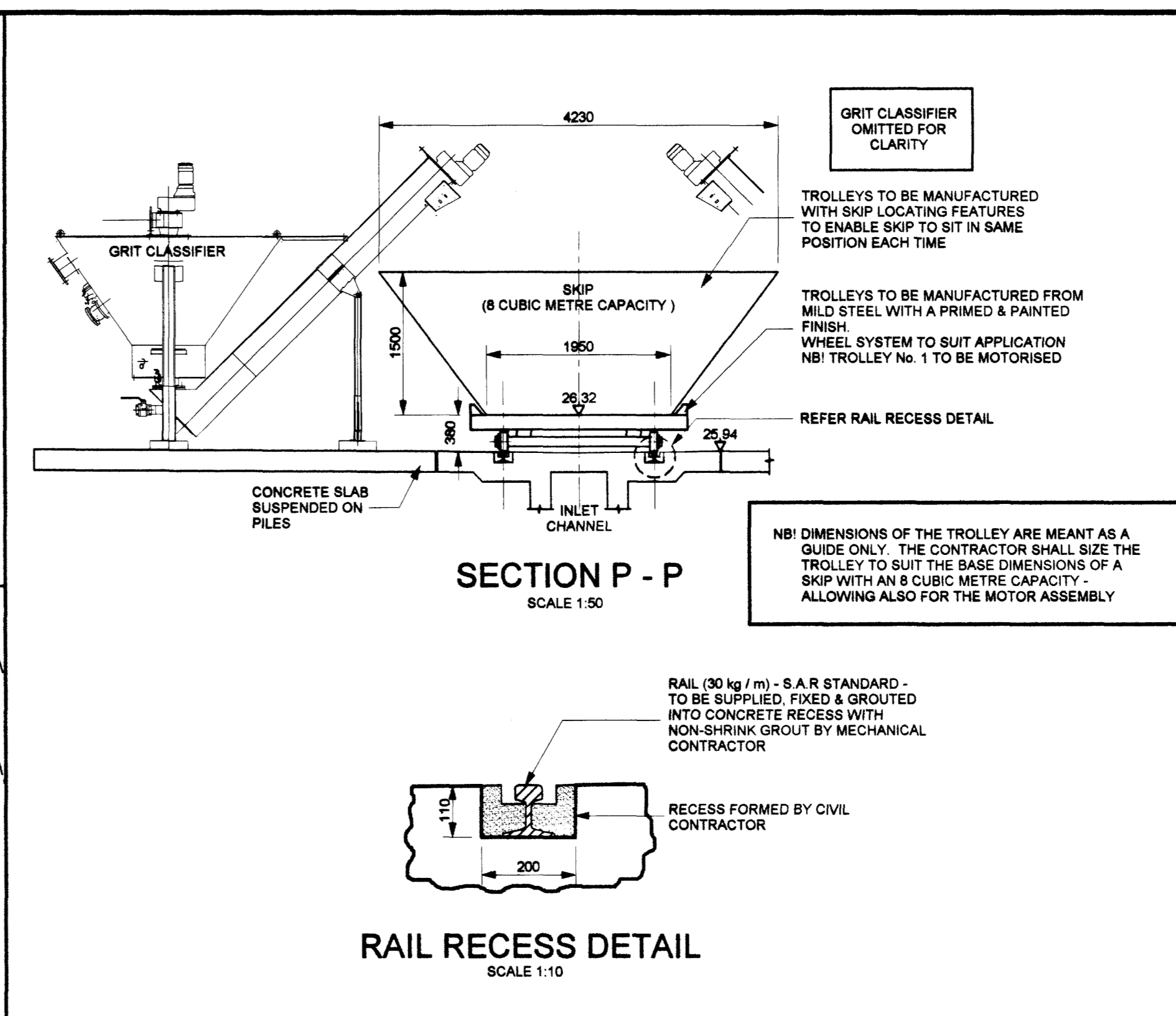
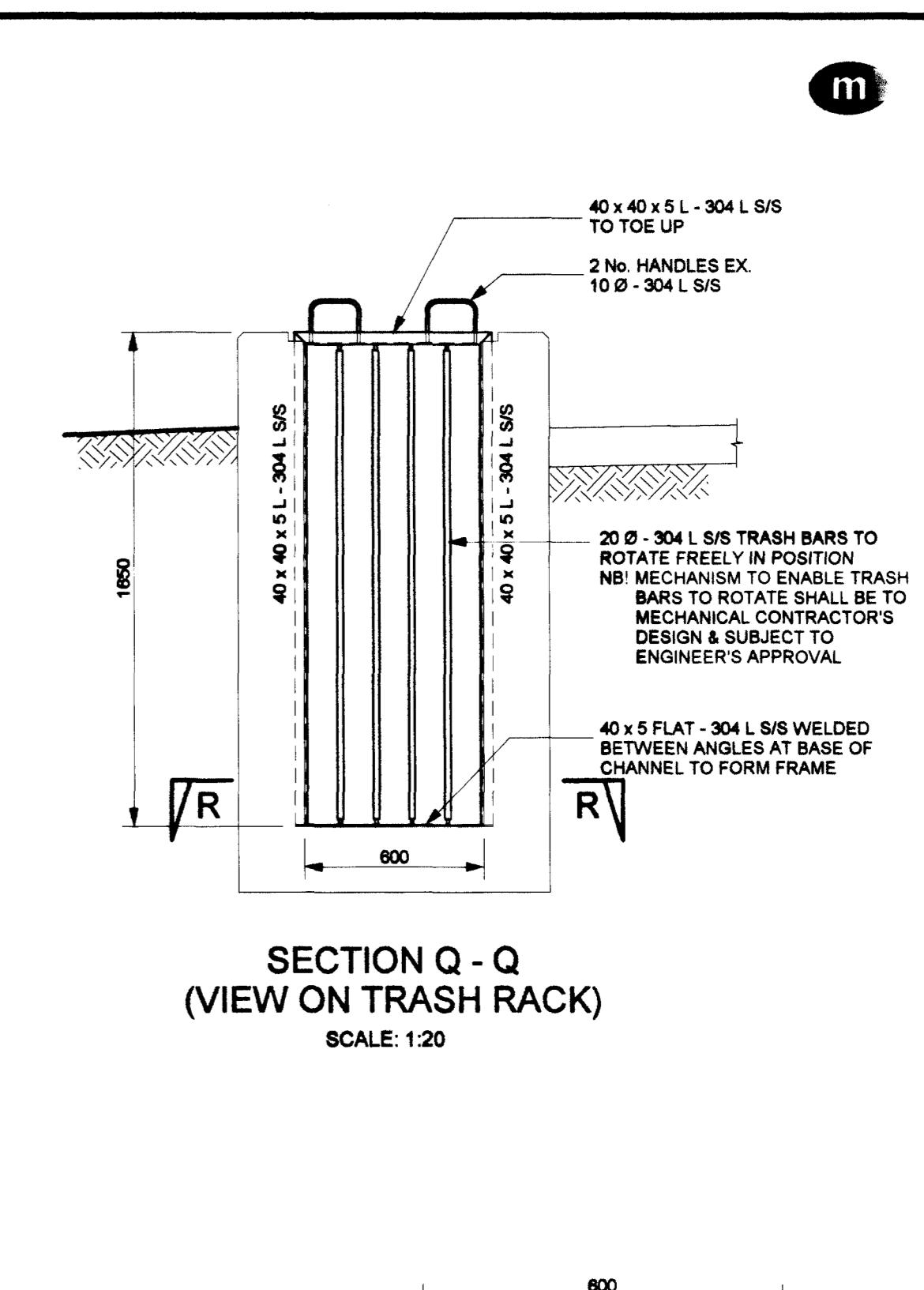


PLAN AT HEAD OF WORKS
SCALE 1:100

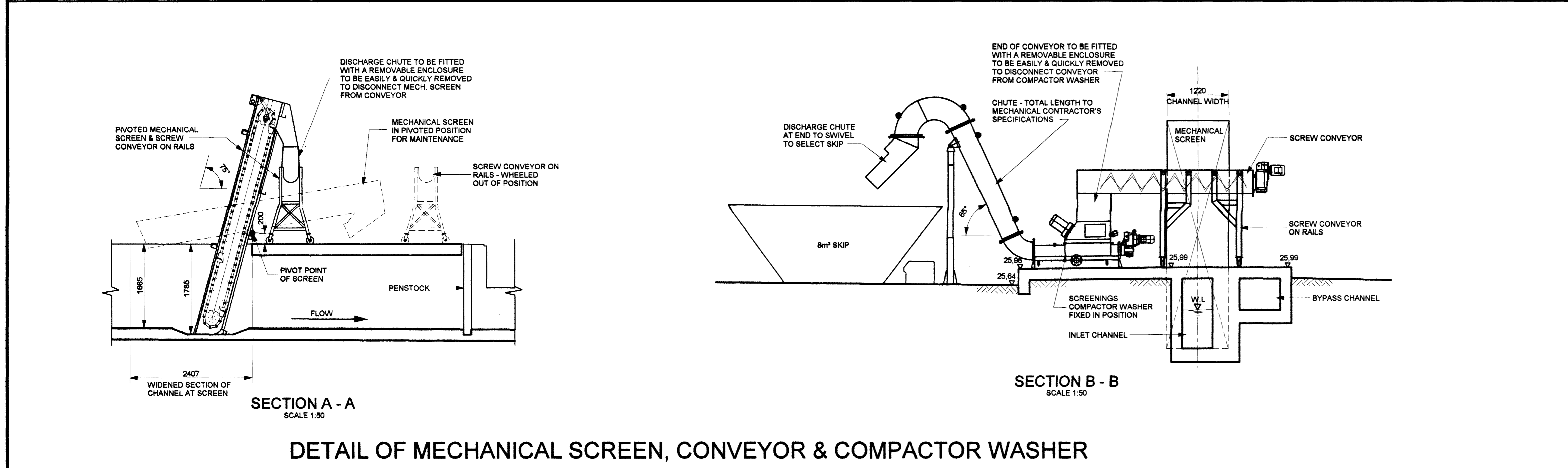


SECTION P - P
SCALE 1:50

RAIL RECESS DETAIL
SCALE 1:10

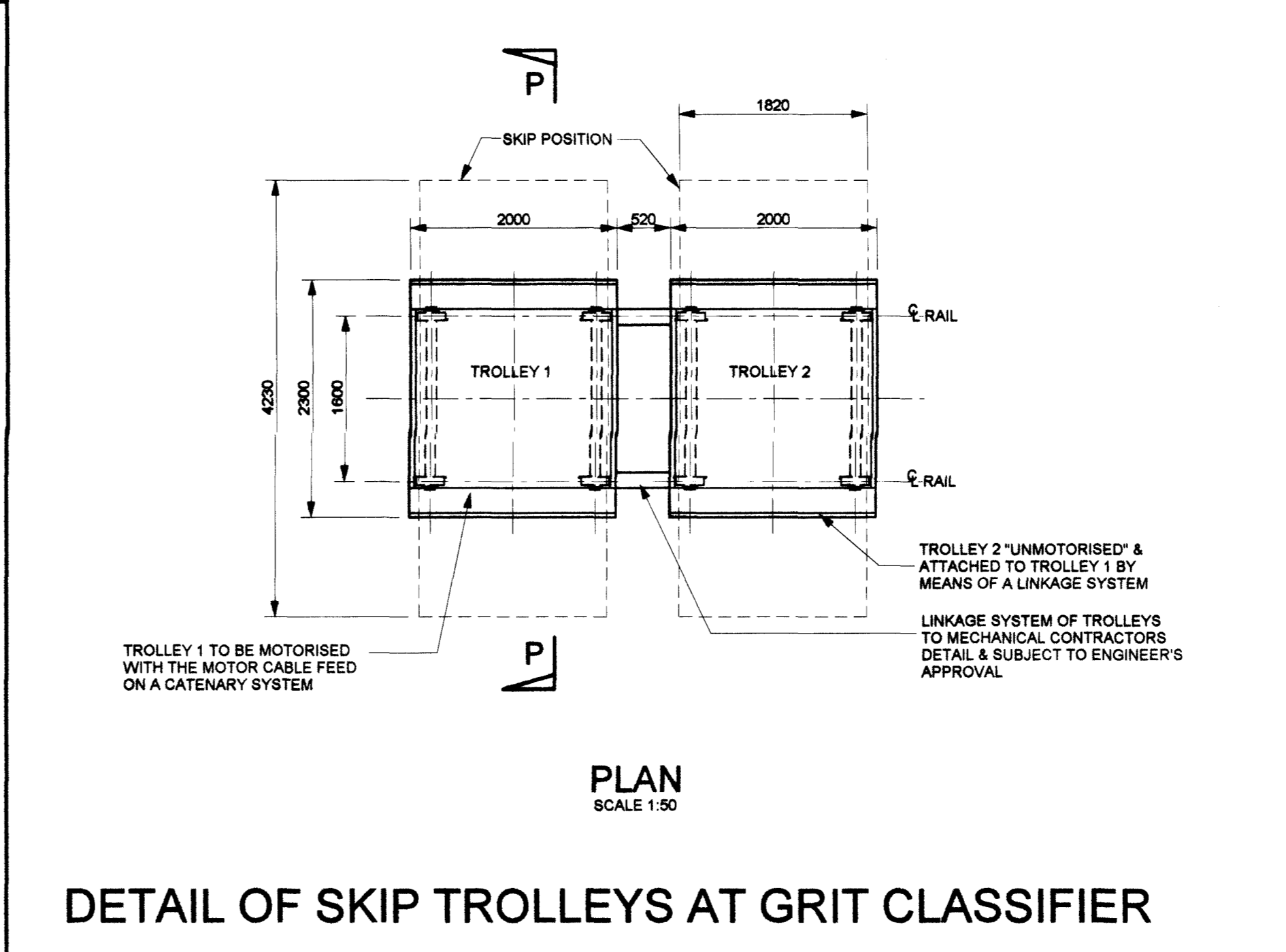


SECTION Q - Q
(VIEW ON TRASH RACK)
SCALE 1:20



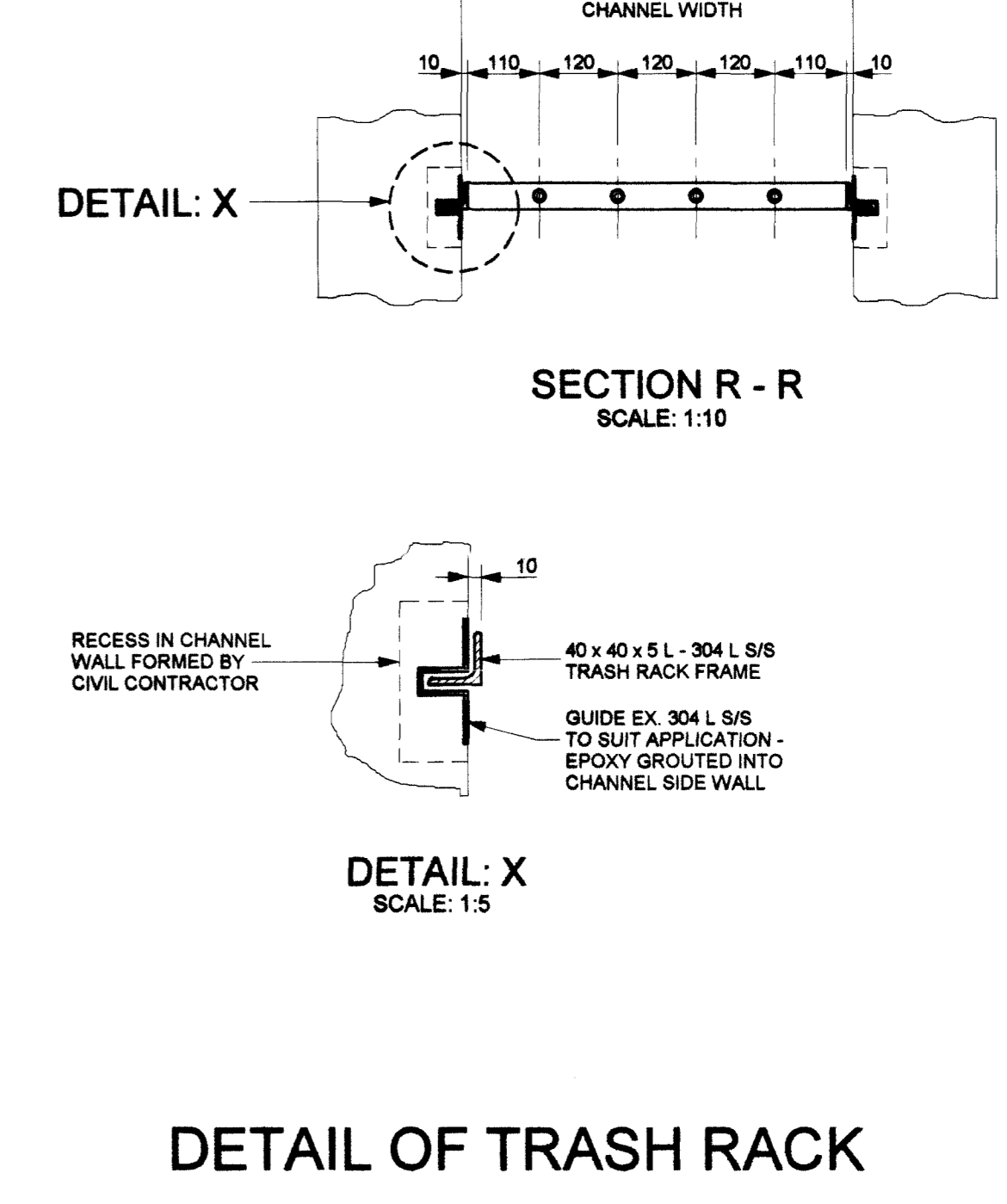
SECTION A - A
SCALE 1:50

DETAIL OF MECHANICAL SCREEN, CONVEYOR & COMPACTOR WASHER



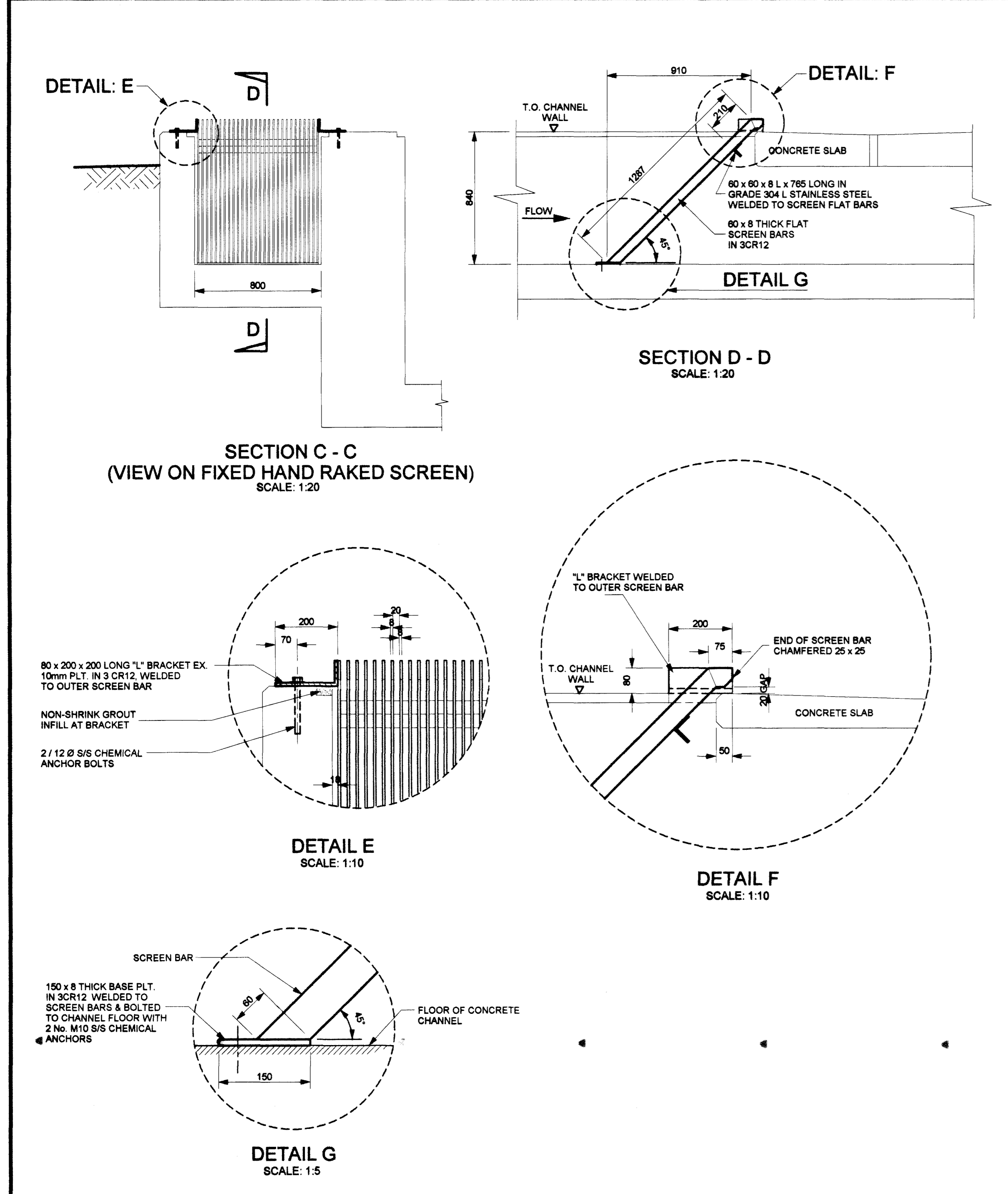
PLAN
SCALE 1:50

DETAIL OF SKIP TROLLEYS AT GRIT CLASSIFIER



SECTION R - R
SCALE 1:10

DETAIL OF TRASH RACK



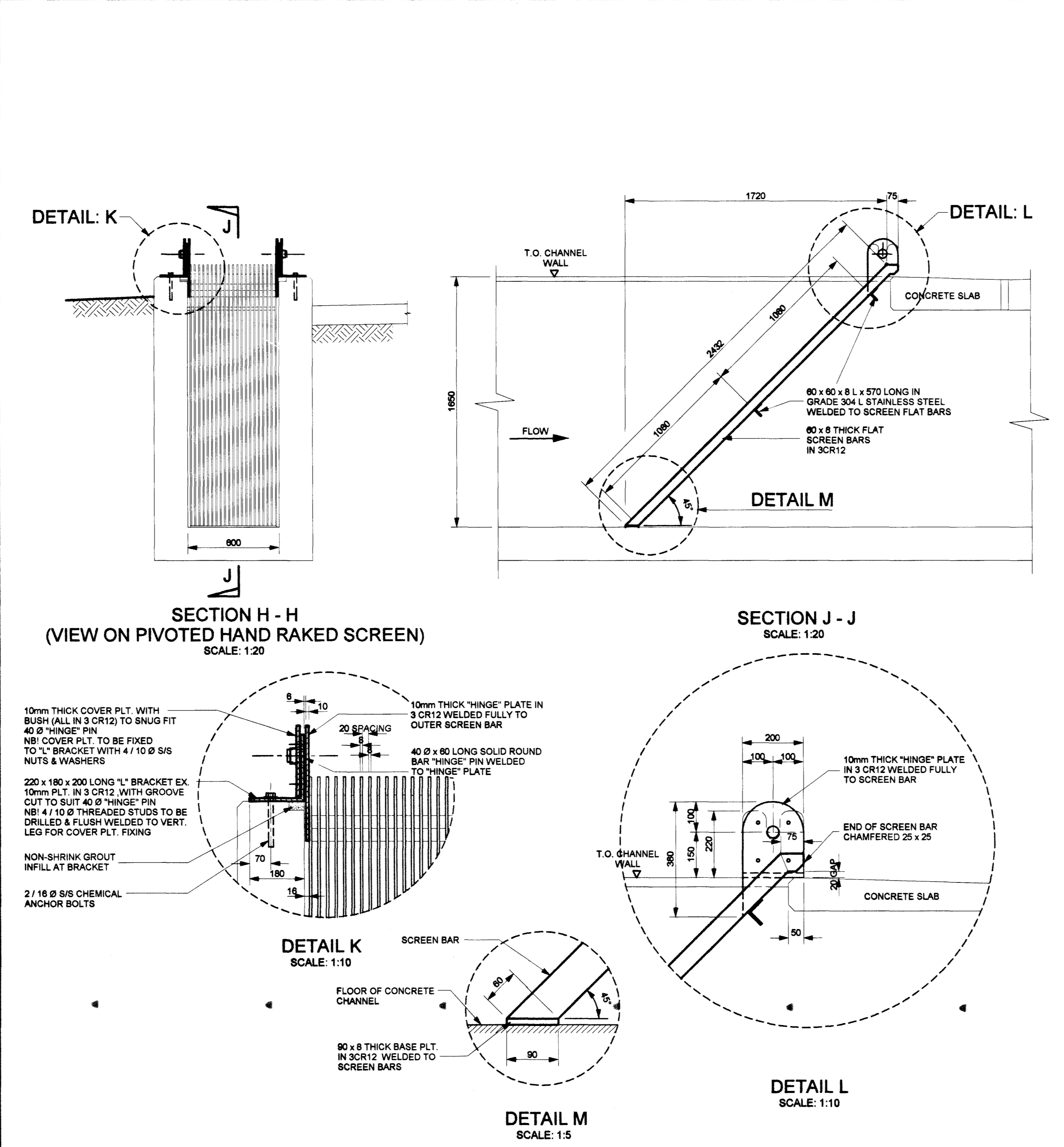
SECTION C - C
(VIEW ON FIXED HAND RAKED SCREEN)
SCALE 1:20

DETAIL E
SCALE 1:10

DETAIL F
SCALE 1:10

DETAIL G
SCALE 1:5

DETAIL OF FIXED HAND RAKED SCREEN IN BYPASS CHANNEL

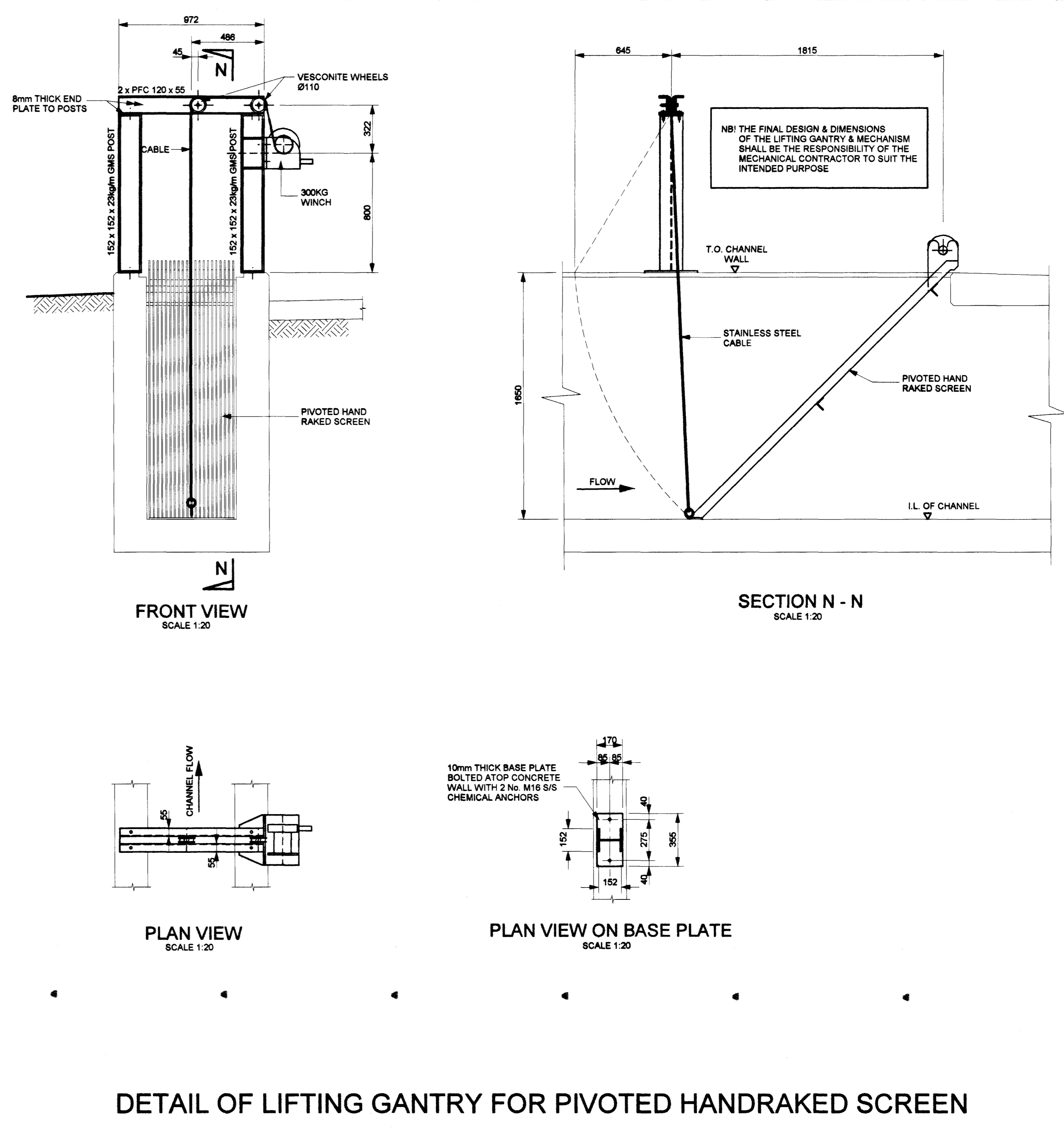


SECTION H - H
(VIEW ON PIVOTED HAND RAKED SCREEN)
SCALE 1:20

DETAIL K
SCALE 1:10

DETAIL L
SCALE 1:10

DETAIL OF PIVOTED HAND RAKED SCREEN IN MAIN CHANNEL



FRONT VIEW
SCALE 1:20

SECTION N - N
SCALE 1:20

PLAN VIEW
SCALE 1:20

PLAN VIEW ON BASE PLATE
SCALE 1:20

DETAIL OF LIFTING GANTRY FOR PIVOTED HANDRAKED SCREEN

- NOTES:**
1. ALL DIMENSIONS & LEVELS SHALL BE CHECKED ON SITE PRIOR TO FABRICATION OF ANY STEELWORK.
 2. ALL BOLTS AND MASONRY ANCHORS SHALL BE IN STAINLESS STEEL.
 3. STAINLESS STEEL (INCLUDING 3 CR12) WELDING AND HEAT AFFECTED ZONES SHALL BE PICKLED AND PASSIVATED UNDER CIVIL CONTRACT.
 4. STAINLESS STEEL HANDRAILINGS TO BE PROVIDED UNDER CIVIL CONTRACT.
 5. CONTRACTOR SHALL PROVIDE SHOP DRAWINGS OF ALL STEELWORK FOR APPROVAL BY THE ENGINEER PRIOR TO FABRICATION.
 6. ALL GALVANISING SHALL BE HOT DIP GALVANISING IN ACCORDANCE WITH S.A.S. 783:1988 - HEAVY DUTY.
 7. CORROSION PROTECTION OF MECHANICAL ITEMS (WHERE SPECIFIED) TO BE STRICTLY IN ACCORDANCE WITH THE REQUIREMENTS OF THE PROJECT SPECIFICATIONS. ALL ASSOCIATED COSTS FOR CORROSION PROTECTION SHALL BE INCLUDED IN THE SUPPLY AND DELIVERY.

G.I.S. CLEARED

DATE:

SANITATION
PROJECT No: **60463**
DRAWING No: **60463-11/A**
TUBE No: **1259**

REVISIONS

Revision	Date	As Built	Description
A	Feb 2009	As Built	

AS BUILT

DATE: 05/02/2009 SIGN: *[Signature]*

REDUCED PLAN USE SCALE BELOW

70mm ON ORIGINAL PLAN

LEGEND OF EXISTING UNDERGROUND SERVICES

SEWERS AND M.H.'S	○
STORM WATER DRAIN AND M.H.'S	□
WATER MAINS AND VALVES	—
ELECTRICITY CABLES	—
TELKOM CABLES	—

UNDERGROUND SERVICES CHECKED

SERVICE	DATE	SIGNATURE
B/W DRAINS		
SEWERS		
WATER MAINS		
TELKOM CABLES		
ELECTRIC CABLES		
SPOONNET CABLES		
E.S.C. CABLES		
OIL PIPE LINE		

NOTE: Only underground services affected by new construction work are shown.
Care must be taken during excavations for road foundations, trenches etc. to avoid damage to underground services such as sewers, drains, cables, water mains and connections. Whenever possible these must be located before work proceeds.

NOTE: No construction work to continue until all and services requisitions have been provided and approved by the Engineer.

Date:

Engineer: *[Signature]*

DEPARTMENT OF
**WASTEWATER
MANAGEMENT**

ETHEKWINI MUNICIPALITY

ETHEKWINI WATER & SANITATION

Contract No: **WS 5735**

Project Title
**VERULAM WASTEWATER
TREATMENT WORKS UPGRADE:
REPLACEMENT OF EXISTING
BIOFILTER PLANT WITH 8.5M³/d
ACTIVATED SLUDGE PLANT**

Project No: (Y6065)

Drawing Title
**MECHANICAL SCREEN, HAND RAKED
SCREENS, CONVEYOR, COMPACTOR /
WASHER, GRIT CLASSIFIER / WASHER
AND SKIP TROLLEY DETAILS**

Reference Digs
Scales: As Shown
Surveyed: V. Naidoo
Drawn: V. Naidoo
Designed: VN / KJB
Date: March 2006
Date: March 2006

Works Project Engineer:
Manager: (Design)

Deputy Head: Technical Services:
Drawing No: 60463-11
Sheet 1
Rev: A