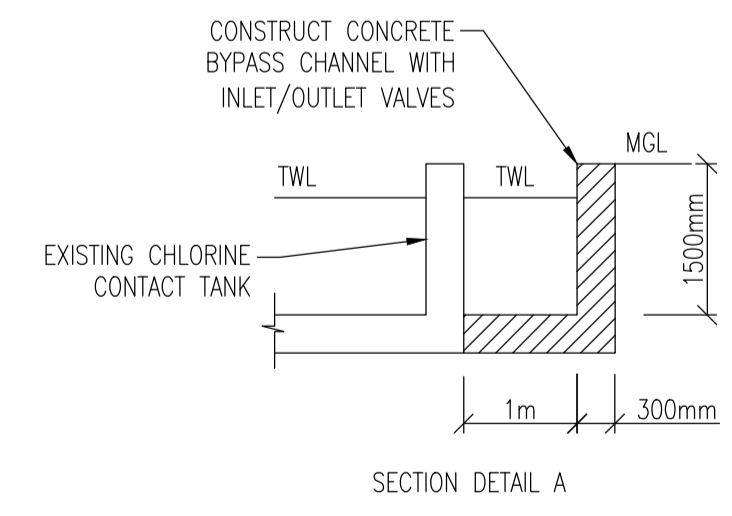


CONSTRUCT 100m LONG x 6m WIDE x 200mm THICK CONCRETE SLAB FOR TEMPORARY STORAGE/REMOVAL OF SLUDGE. SEE DETAIL B

REMOVE/CLEAN ALL SAND/SLUDGE FROM EXISTING SLUDGE BEDS. RECONSTRUCT APPROX. 100m LONG x 1m HIGH, SUPPLY/INSTALL 10NO RSV GATE VALVES.

SUPPLY AND INSTALL 2NO SLUDGE PUMPS 11KW HOBART

CONSTRUCT BYPASS CHANNEL FOR CLEANING OF CHLORINE CONTACT TANKS. SEE DETAIL A



**DRAWING NUMBER CODES**

DISCIPLINE	SUBDIVISION No.	STATUS
WAT = WATER	LS = LONGSECTION	TEN = TENDER
RD = ROADS	XS = CROSS SECTION	PRE = PRELIMINARY
SW = STORM WATER	DET = DETAILS	CON = CONSTRUCTION
ELE = ELECTRICAL	CA = GENERAL ARRANGEMENT	ASB = AS BUILT
STR = STRUCTURAL		

FILE NAME: AFR2309-SEW-GA-04-TEN-00.dwg  
 PLOT STYLE: std-plot.ctb  
 PLOT SCALE: 1:1  
 PAPER SIZE: A1

09			
08			
07			
06			
05			
04			
03			
02			
01	CB	FOR TENDER	00 27/02/2023

NO.	DRAWN	DESCRIPTION	REV	DATE
	C.BARKES			27/02/2023
	T.JACHENS			27/02/2023
	T.JACHENS			27/02/2023

**AFRICOAST CONSULTING ENGINEERS**

34 Mongold Street  
 Newton Park, Gqeberha, 6000  
 PO Box 5104  
 Walmer, 6065  
 Tel: +27 (41) 505-8000  
 Fax: +27 (41) 505-3437  
 info@afri.co.za

**ETHEKWIWI MUNICIPALITY**

**PROJECT:**  
**STORM DAMAGE TO NORTHERN WASTEWATER CATCHMENT**

**TITLE:**  
**VERULAM WWTW: PROPOSED STORM DAMAGE REPAIR WORK & UPGRADES**

<b>DRAWING NUMBER :</b>	<b>AS SHOWN</b>				
AFR2309-SEW-GA-04	TEN-00				
PROJECT No.	DISCIPLINE	SUB No.	DWG No.	STATUS	REVISION

THIS DOCUMENT EMBODIES DESIGNS AND INFORMATION PROPRIETARY TO AFRICOAST CONSULTING ENGINEERS. IT IS TO BE USED ONLY FOR THE PURPOSE AND BY THE ENTITY FOR WHICH IT WAS ORIGINALLY SUPPLIED. THE DOCUMENT MAY NOT BE DUPLICATED, DISCLOSED TO ANY OTHER PERSON OR ENTITY, OR USED FOR MANUFACTURE OF THE ITEM IN PART OR IN WHOLE WITHOUT WRITTEN CONSENT OF AFRICOAST CONSULTING ENGINEERS.

\\server\Data\PROJECTS\AFR\AFR2309\_KwaZulu-Natal\_Municipalities\AFR2309\_2022\_Storm\_Damage\Drawings\10.3\_Design\_Dwg\10.3\_Tender\AFR2309-SEW-GA-04-TEN-00.dwg