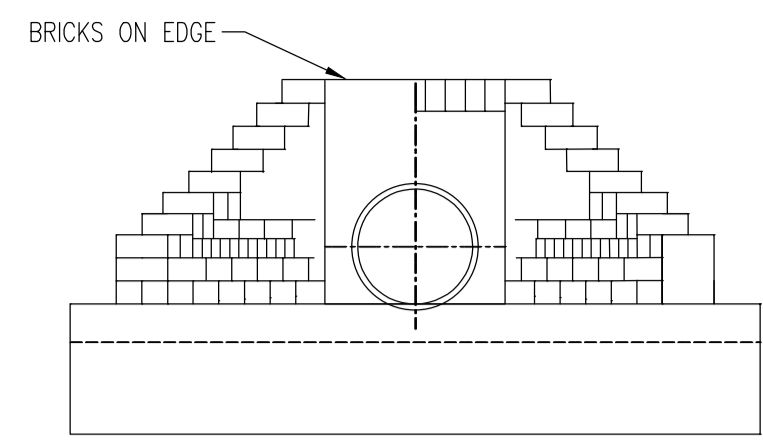
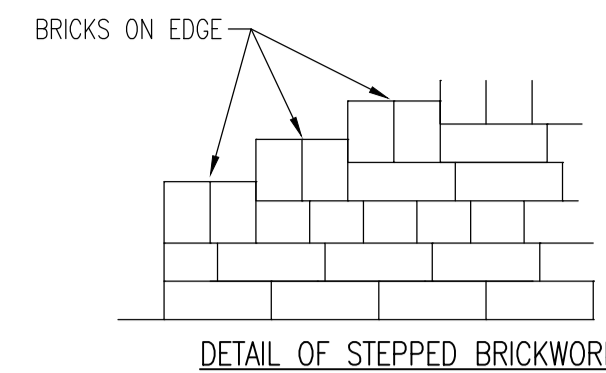


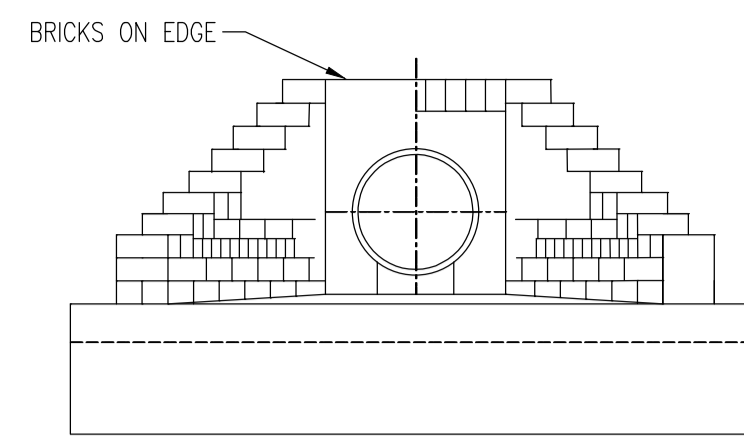
DETAIL OF STEPPED BRICKWORK



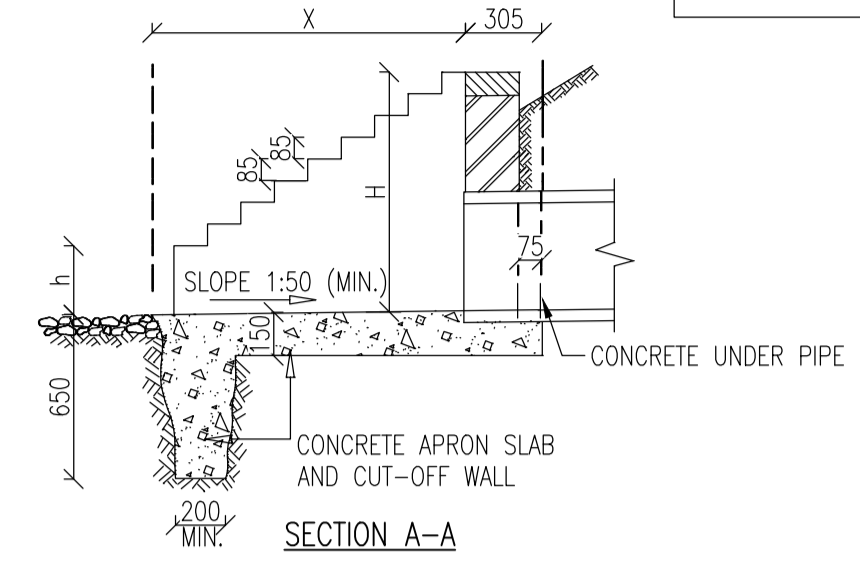
FRONT ELEVATION



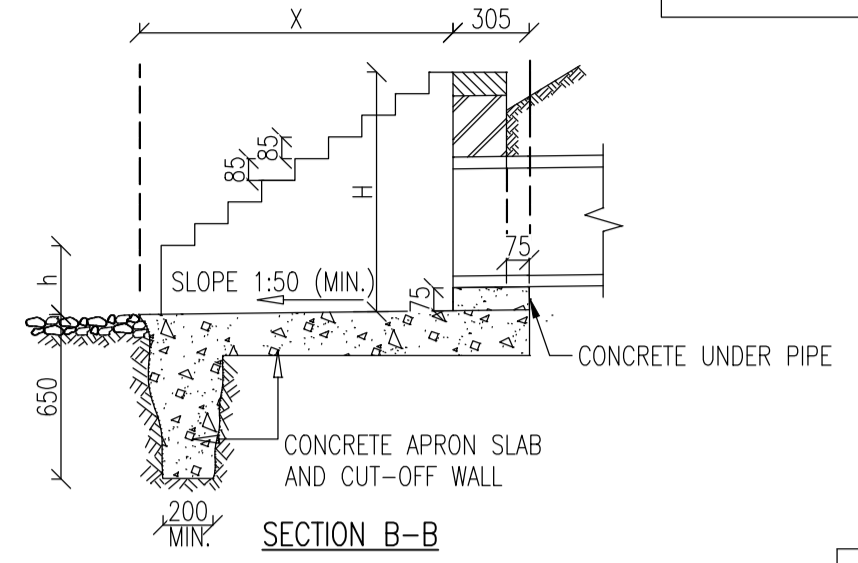
DETAIL OF STEPPED BRICKWORK



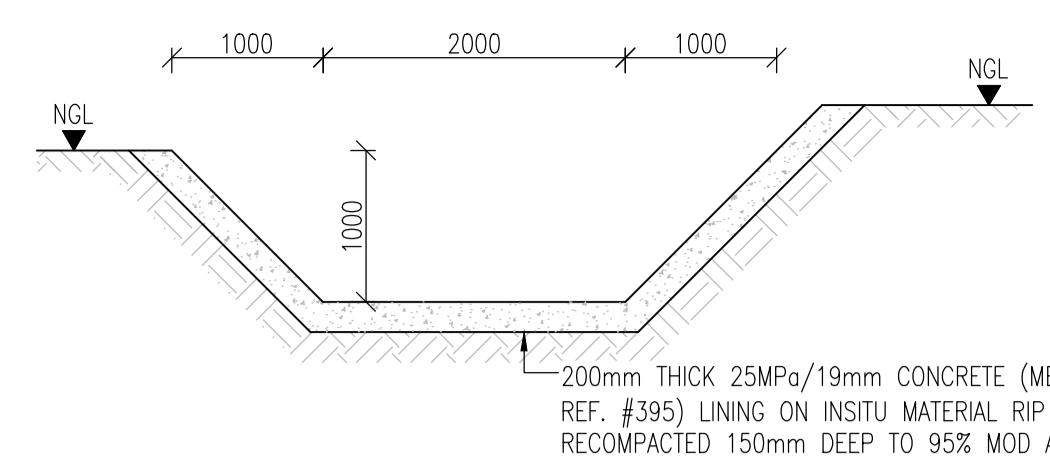
FRONT ELEVATION



SECTION A-A



SECTION B-B



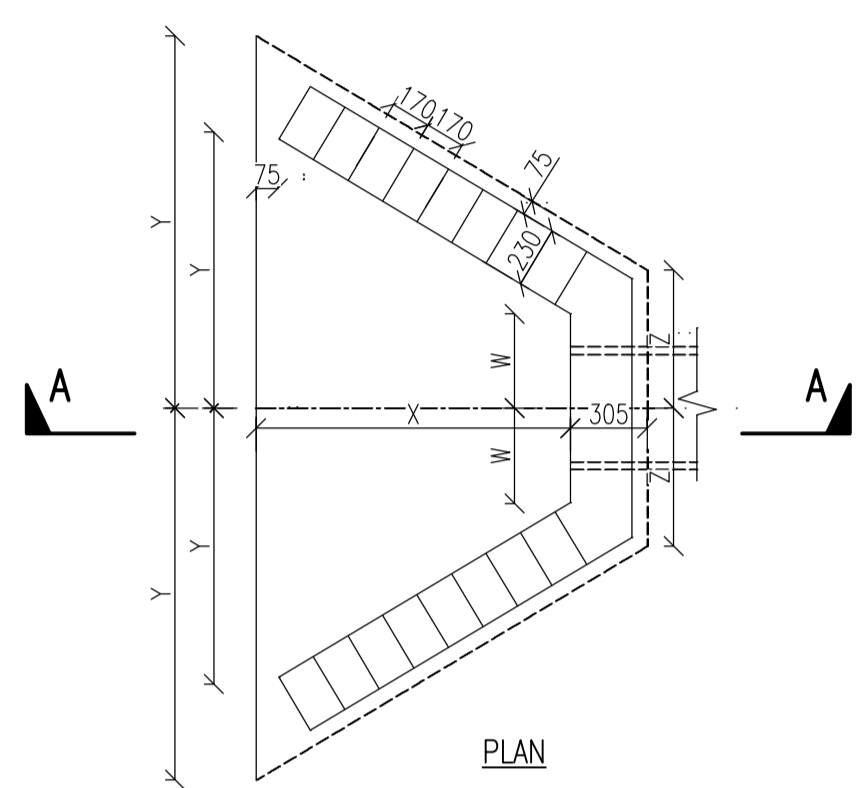
DETAIL 1. (AFR2309-SEW-GA-04)
STORMWATER OPEN CHANNEL
SCALE 1:50

DIMENSIONS FOR SETTING-OUT PURPOSES:

NOMINAL DIAMETER	X	Y	Z	W	V	H	h
300	1045	1235	455	280	840	710	285
375	1190	1365	500	325	970	795	285
450	1340	1495	545	370	1100	880	285
525	1340	1535	585	410	1140	965	370
600	1485	1660	625	450	1265	1050	370
675	1635	1790	670	495	1395	1135	370
750	1780	1915	710	535	1520	1220	370
825	1930	2035	750	575	1640	1305	370
900	2075	2165	790	615	1770	1390	370
1050	2225	2335	875	700	1940	1560	455
1200	2515	2585	955	780	2190	1730	455
1350	2810	2835	1045	870	2440	1900	455
1500	3105	3090	1120	945	2695	2070	455

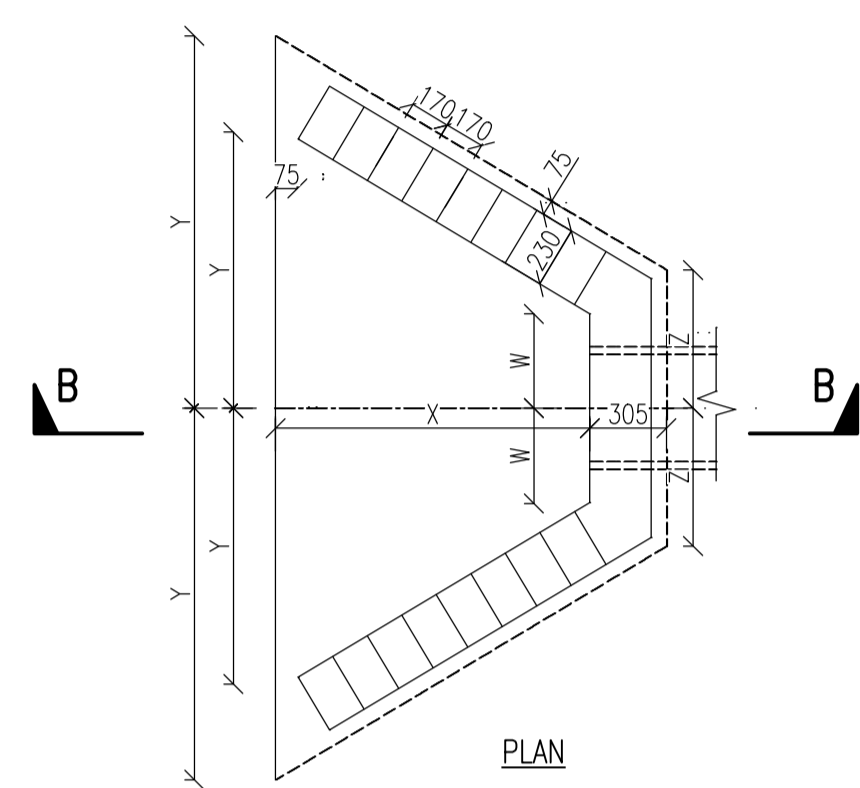
DIMENSIONS FOR SETTING-OUT PURPOSES:

NOMINAL DIAMETER	X	Y	Z	W	V	H	h
300	1045	1235	455	280	840	710	285
375	1190	1365	500	325	970	795	285
450	1340	1495	545	370	1100	880	285
525	1340	1535	585	410	1140	965	370
600	1485	1660	625	450	1265	1050	370
675	1635	1790	670	495	1395	1135	370
750	1780	1915	710	535	1520	1220	370
825	1930	2035	750	575	1640	1305	370
900	2075	2165	790	615	1770	1390	370
1050	2225	2335	875	700	1940	1560	455
1200	2515	2585	955	780	2190	1730	455
1350	2810	2835	1045	870	2440	1900	455
1500	3105	3090	1120	945	2695	2070	455



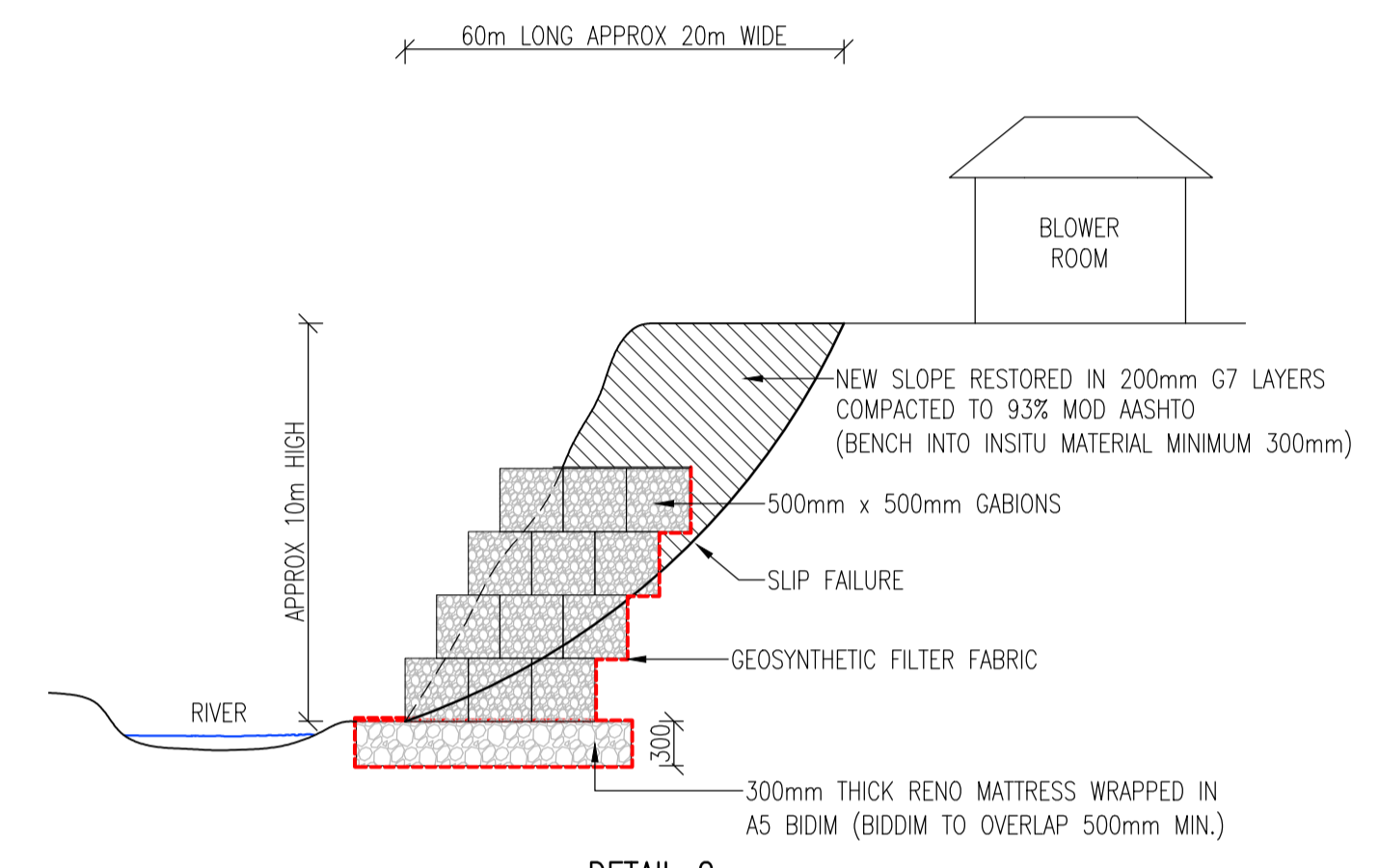
PLAN

BRICK HEADWALL AT INLET

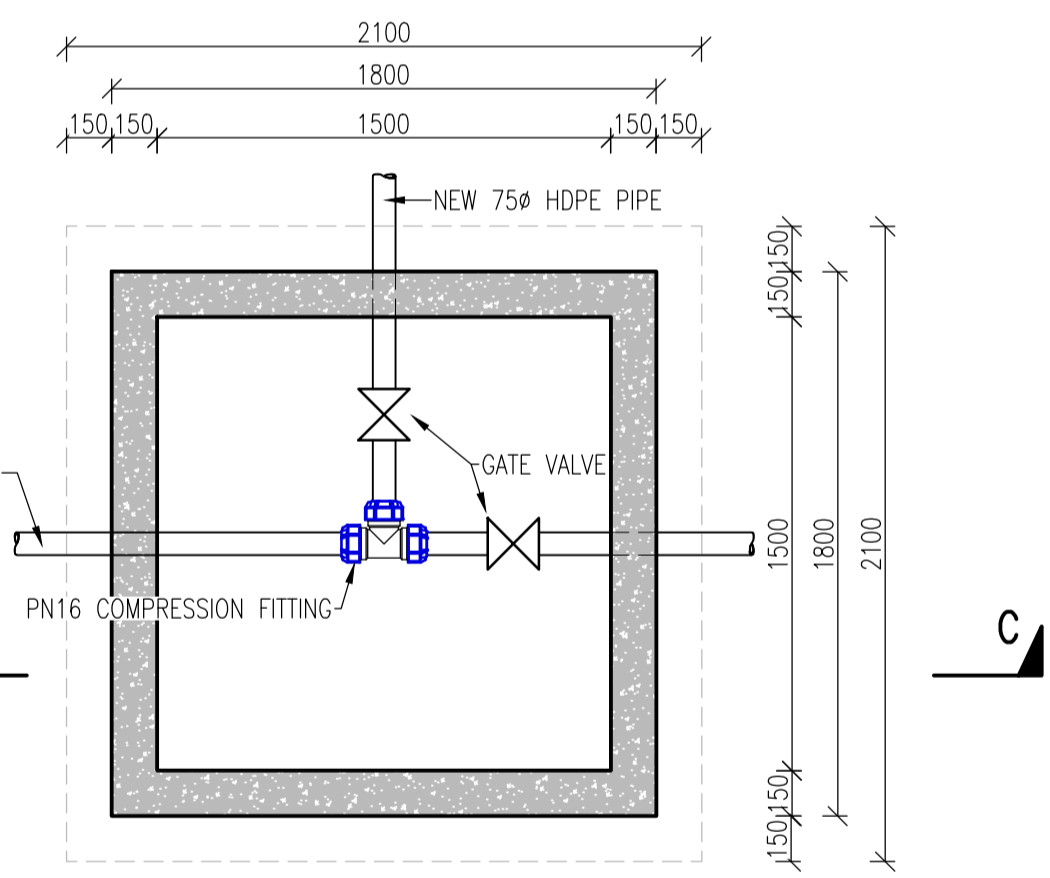


PLAN

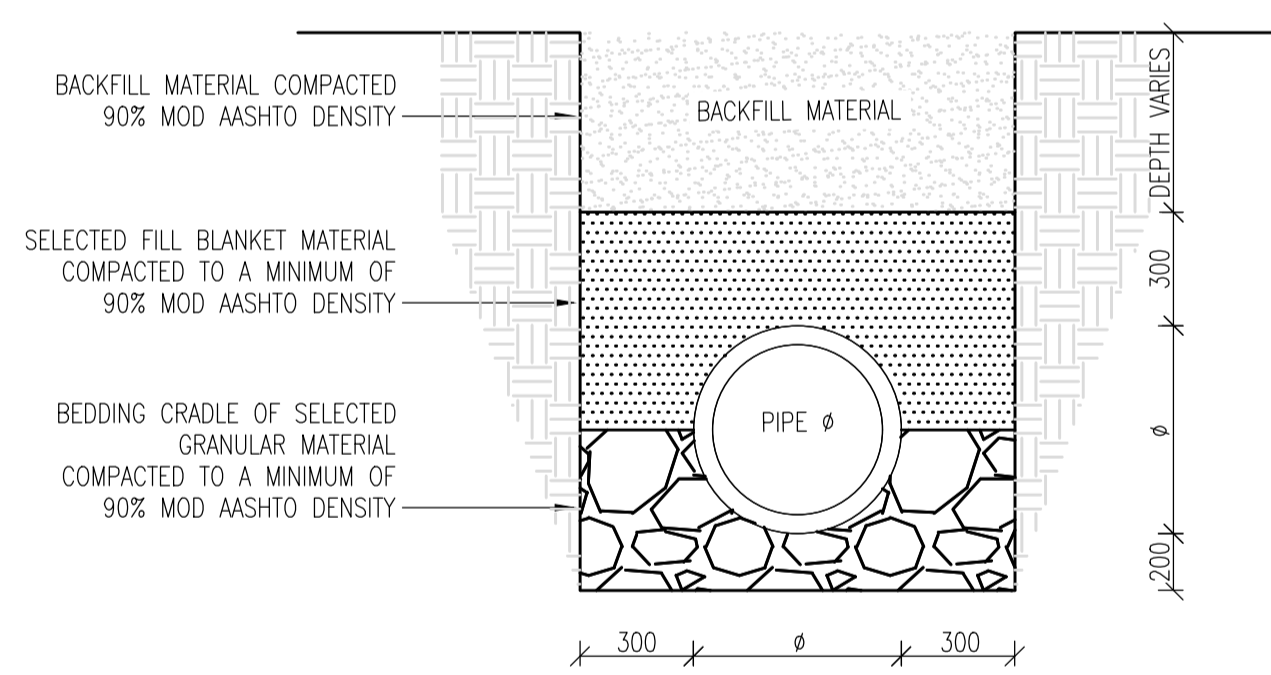
BRICK HEADWALL AT OUTLET



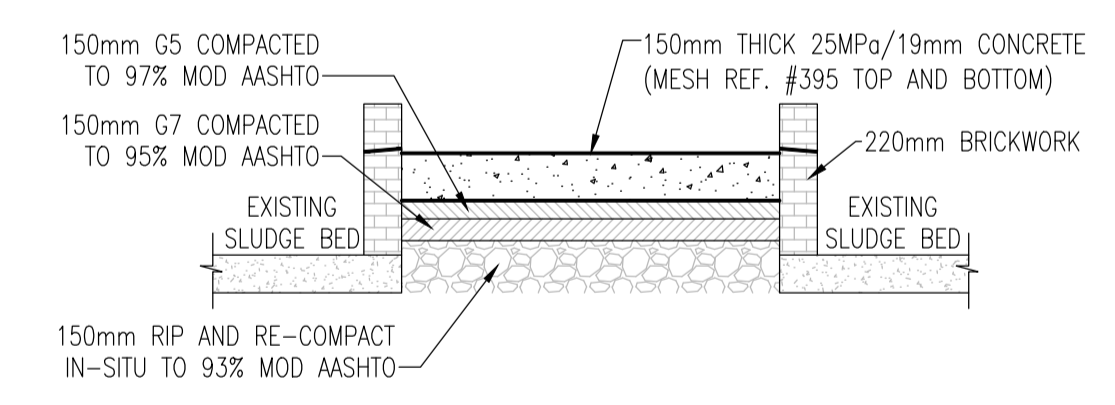
DETAIL 2.
EARTH EMBANKMENT REINSTATEMENT



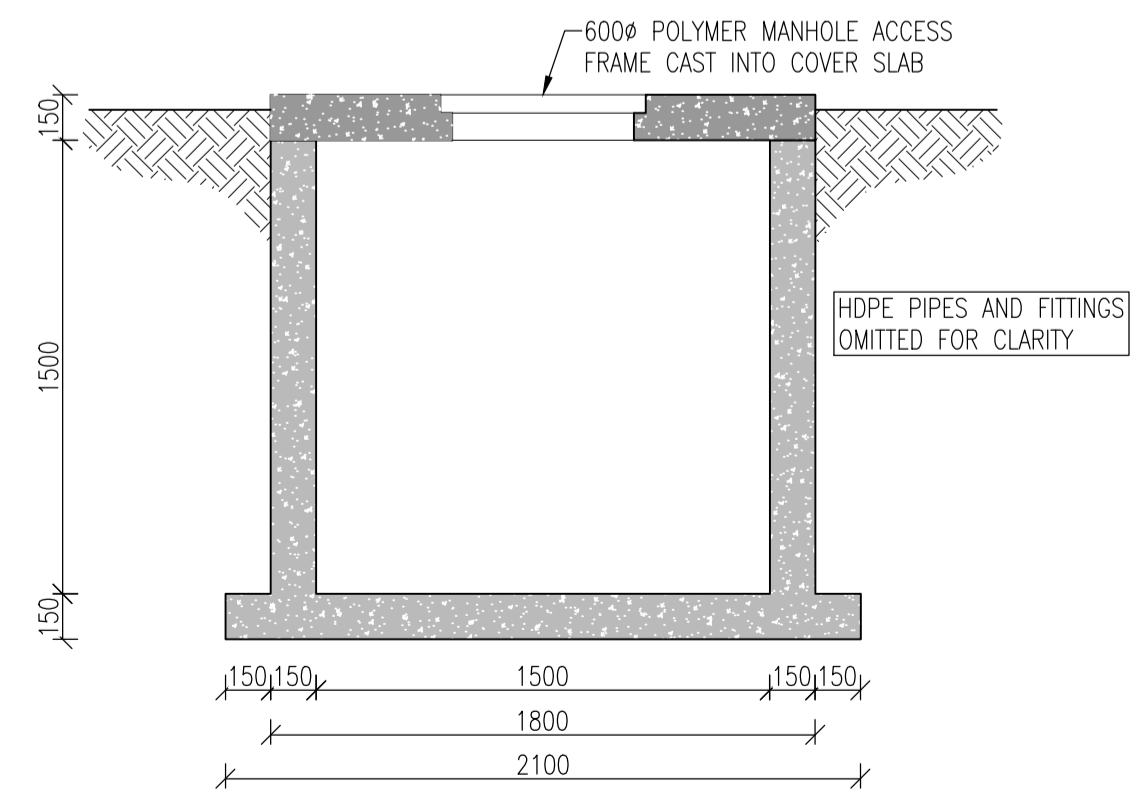
VALVE CHAMBER DETAIL
(NEW CHLORINE DOSING)
SCALE: 1:25



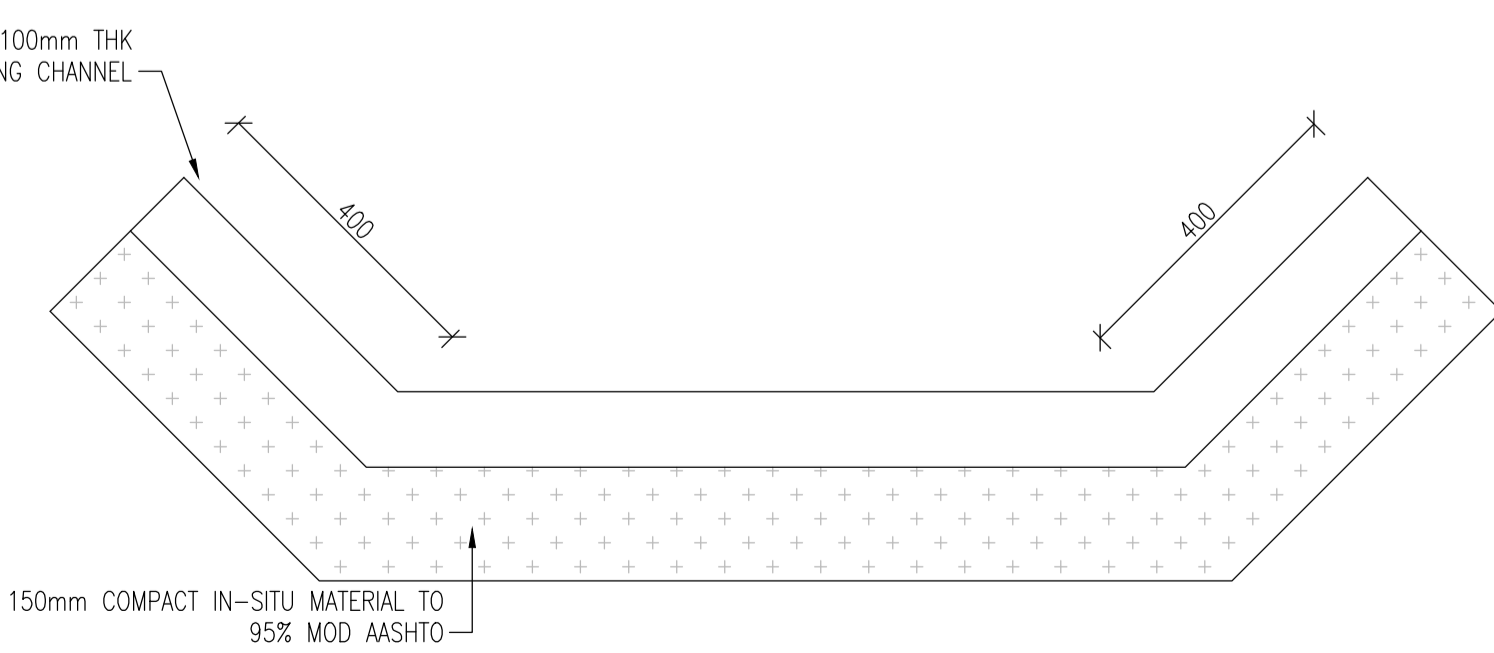
TYPICAL TRENCH DETAIL
SCALE: NTS



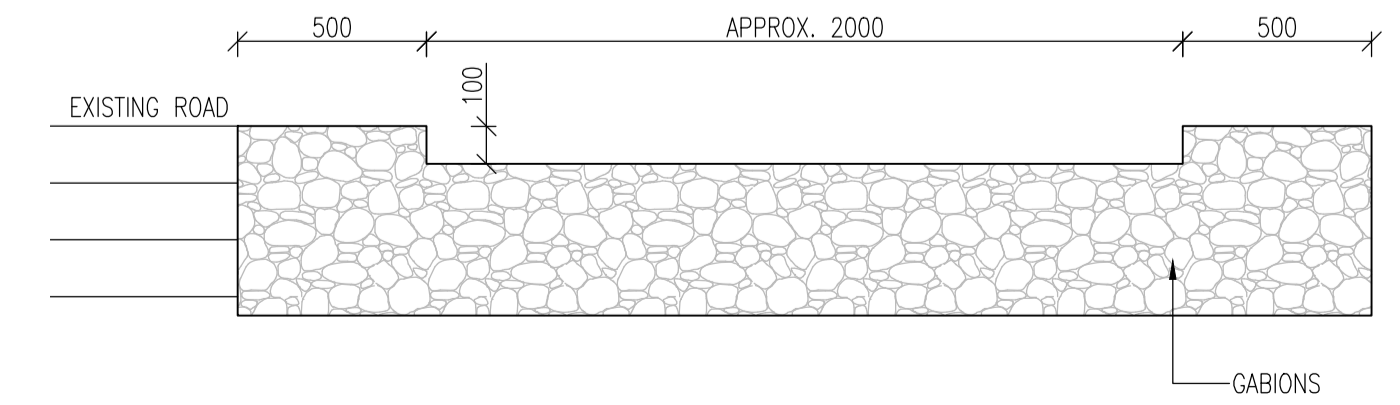
TYPICAL DETAIL 3. (AFR2309-SEW-GA-04)
SECTION THRU' SLUDGE DRYING CONCRETE SLAB



SECTION C-C
SCALE: 1:25



TYPICAL 1.8m TRAPEZOIDAL CHANNEL DETAIL
SCALE: 1:10



TYPICAL DETAIL 4. (AFR2309-SEW-GA-05)
DRAINAGE CHANNEL
SCALE: 1:20

- TYPICAL HEADWALL NOTES:
- IF, IN THE OPINION OF THE ENGINEER, THE IN-SITU MATERIAL UNDER THE STRUCTURE IS UNSUITABLE HE SHALL ORDER ITS REMOVAL AND REPLACEMENT BY SUBBASE QUALITY MATERIAL.
 - THE MATERIAL FOR A DEPTH OF 150mm UNDER THE APRON SLAB IS TO BE COMPACTED TO A MINIMUM OF 90% OF MODIFIED AASHTO MAXIMUM DENSITY.
 - FORMWORK ONLY REQUIRED FOR APRON SLAB. CONCRETE IN CUT-OFF WALL BELOW THIS LEVEL TO BE CAST DIRECTLY AGAINST SIDES OF THE EXCAVATION.
 - CONCRETE TO BE CLASS 20/19.
 - BRICK IN BOND OF 2 STRETCHERS, 1 HEADER COURSE UNPLASTERED AND WITH FLUSH JOINTS. TOP COURSE TO BE HEADER ON EDGE.
 - BRICKS SHALL BE NFX BURNT CLAY MASONRY UNITS AND SHALL COMPLY WITH SANS 227.
 - PROTECTION BY MEANS OF GABION STRUCTURES OR STONE PITCHING TO BE PLACED AT THE END OF APRON AS ORDERED BY THE ENGINEER.
 - GROUND SURFACE ALL AROUND HEADWALL TO BE TRIMMED TO AT LEAST 150mm LOWER THAN THE TOP OF THE BRICKWORK.
 - ALL DIMENSIONS IN mm.
 - WEEPHOLES IN BRICKWORK TO BE PROVIDED AS DIRECTED BY THE ENGINEER.

DRAWING NUMBER CODES

DISCIPLINE	SUBDIVISION No.	STATUS
WAT = WATER	LS = LONGSECTION	TEN = TENDER
RD = ROADS	XS = CROSS SECTION	PRE = PRELIMINARY
SW = STORM WATER	DET = DETAILS	CON = CONSTRUCTION
ELE = ELECTRICAL	GA = GENERAL ARRANGEMENT	ASB = AS BUILT
STR = STRUCTURAL		

FILE NAME: AFR2309-SW-DET-01-TEN-00.dwg
PLOT STYLE: sld-plot.ctb
PLOT SCALE: 1:1
PAPER SIZE: A1

NO.	TP	TENDER	REV	DATE
09				
08				
07				
06				
05				
04				
03				
02				
01			00	07/05/2023

NO.	DRAWN	DESCRIPTION	REV	DATE
	T.POTHIER			07/05/2023
	C.BARKES			07/05/2023
	T.JMCHENS			07/05/2023

PROJECT DIRECTOR: _____ DATE _____
PROJECT MANAGER: _____ DATE _____

34 Mongold Street
Newton Park, Gqeberha, 6000
PO Box 5104
#01mer,0265
Tel: +27 (41) 505-8000
Fax: +27 (41) 505-3437
info@afriacoast.com

AFRICOAST CONSULTING ENGINEERS

CLIENT: ETHEKWINI MUNICIPALITY

PROJECT: STORM DAMAGE TO NORTHERN WASTEWATER CATCHMENT

TITLE: STORMWATER DETAILS

DRAWING NUMBER : AFR2309 - SW - DET - 01

SCALE: AS SHOWN

PROJECT No.	DISCIPLINE	SUB No.	DWG No.	STATUS	REVISION
				TEN - 00	

THIS DOCUMENT EMBODIES DESIGNS AND INFORMATION PROPRIETARY TO AFRICOAST CONSULTING ENGINEERS. IT IS TO BE USED ONLY FOR THE PURPOSE AND BY THE ENTITY FOR WHICH IT WAS ORIGINALLY SUPPLIED. THE DOCUMENT MAY NOT BE DUPLICATED, DISCLOSED TO ANY OTHER PERSON OR ENTITY, OR USED FOR MANUFACTURE OF THE ITEM IN PART OR IN WHOLE WITHOUT WRITTEN CONSENT OF AFRICOAST CONSULTING ENGINEERS.